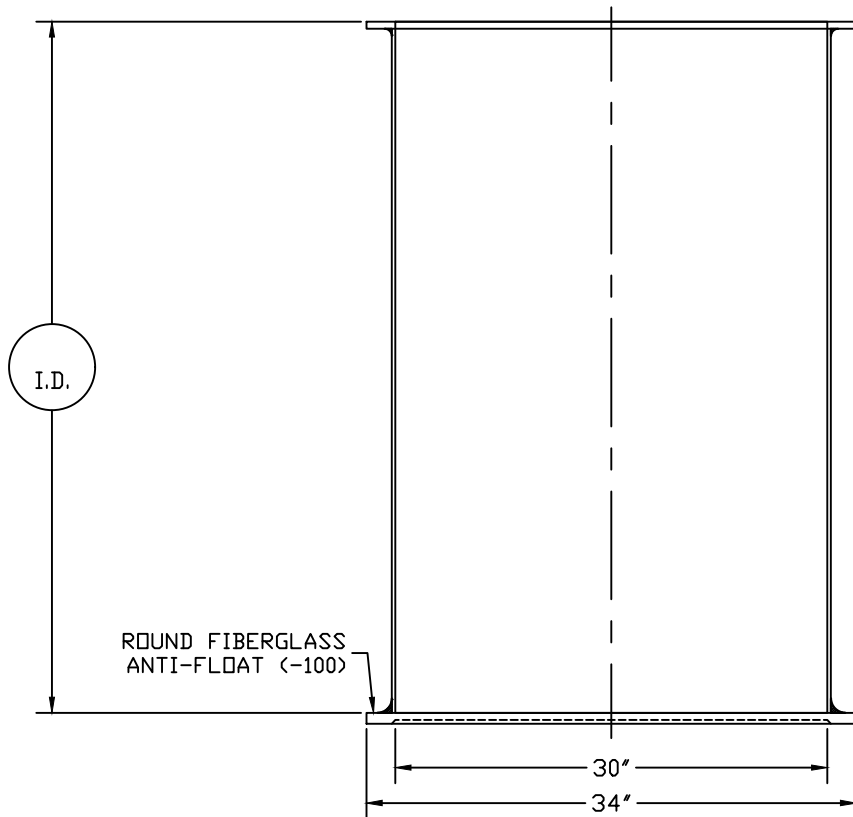
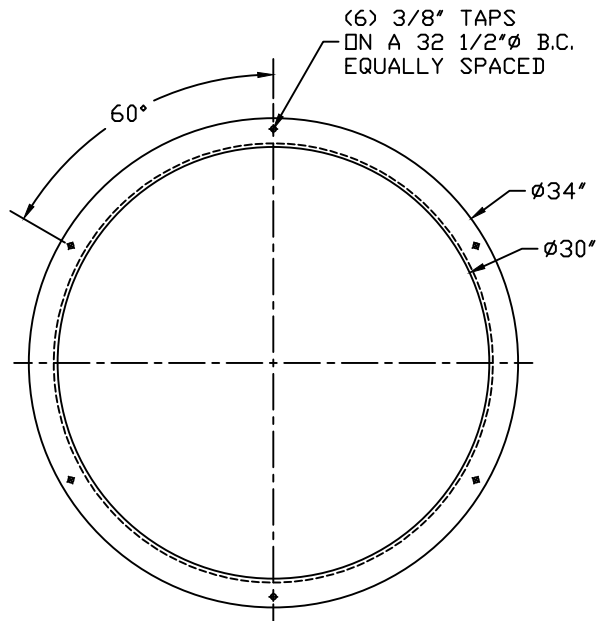


PART/PRINT #:  
GB-30-100

PART DESCRIPTION:  
30"Ø FIBERGLASS BASIN W/ ROUND ANTI-FLOATATION COLLAR

DATE:  
05/25/16



**DRAINAGE**  
SOLUTIONS, INC

(317) 346-4110

[www.drainagesolutionsinc.com](http://www.drainagesolutionsinc.com)

THIS DRAWING IS THE SOLE PROPERTY OF AK INDUSTRIES INC.



AK INDUSTRIES INC.  
2055 PIDCO DR.  
PLYMOUTH, IN. 46563  
PHONE: (574) 936-6022

DRAWN BY:  
A.HARTUNG  
J.CONLEY

SCALE:  
NOT TO SCALE

REVISION#:

SIGNATURE: