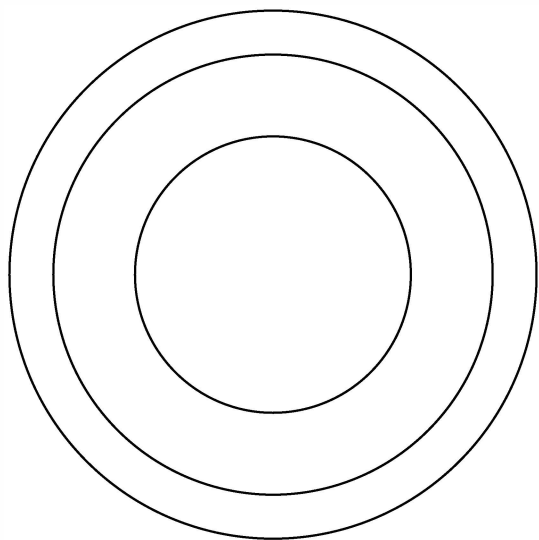
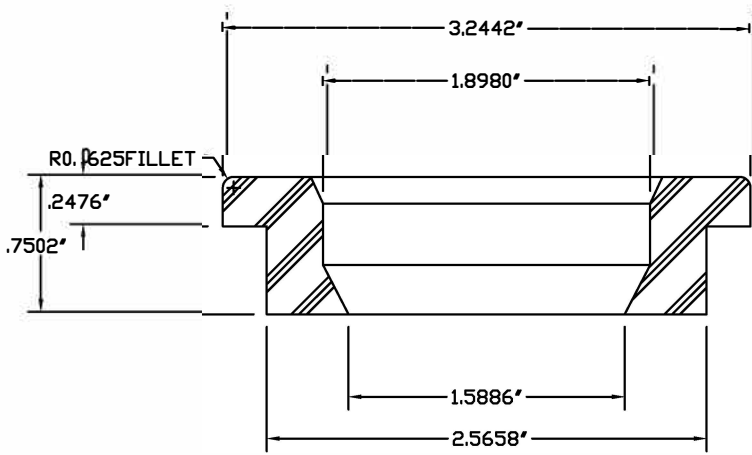
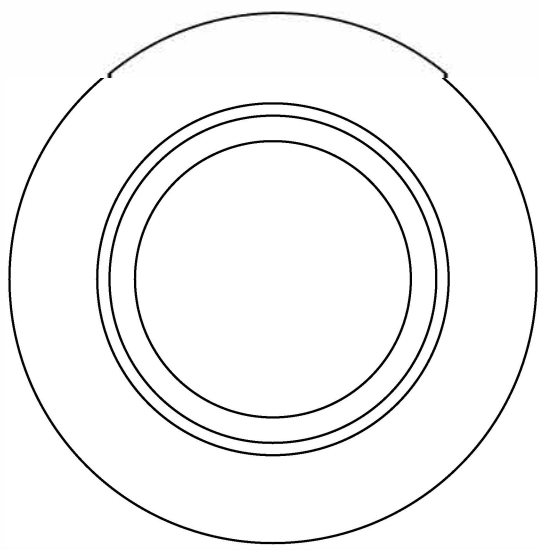


PART/PRINT #:	PART DESCRIPTION:	SCALE:	REVISION:	DATE:
AKP10050	NEOPRENE ADAPTAFLEX 1.5" FOR 2 1/2" HOLE	NOT TO SCALE	002	12/27/02

THIS DRAWING IS THE SOLE PROPERTY OF AK INDUSTRIES INC.



B.O.M
AKR50200 1 1/2 ADAPTAFLEX NS

AK INDUSTRIES INC. 2055 PIDCO DR. PLYMOUTH, IN. 46563 PHONE (574) 936-6022

	AK INDUSTRIES INC. 2055 PIDCO DR. PLYMOUTH, IN. 46563 PHONE (574) 936-6022	DRAWN BY: M. OLIVAREZ	TOLERANCE: ± 0.0250 UNLESS SPECIFIED OTHERWISE	SIGNATURE:
	<p style="text-align: right;">i i i v d s i s y w a g f a e j u a</p>			