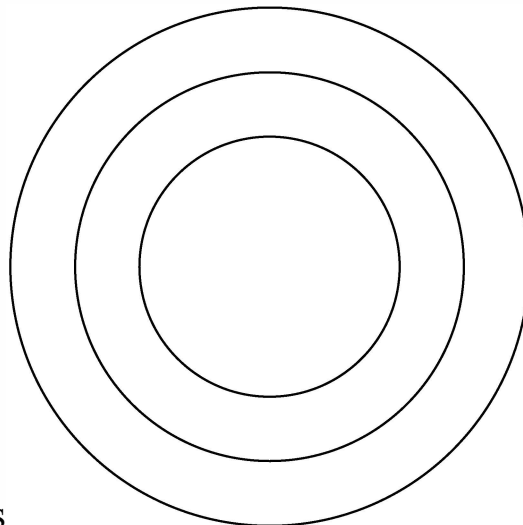
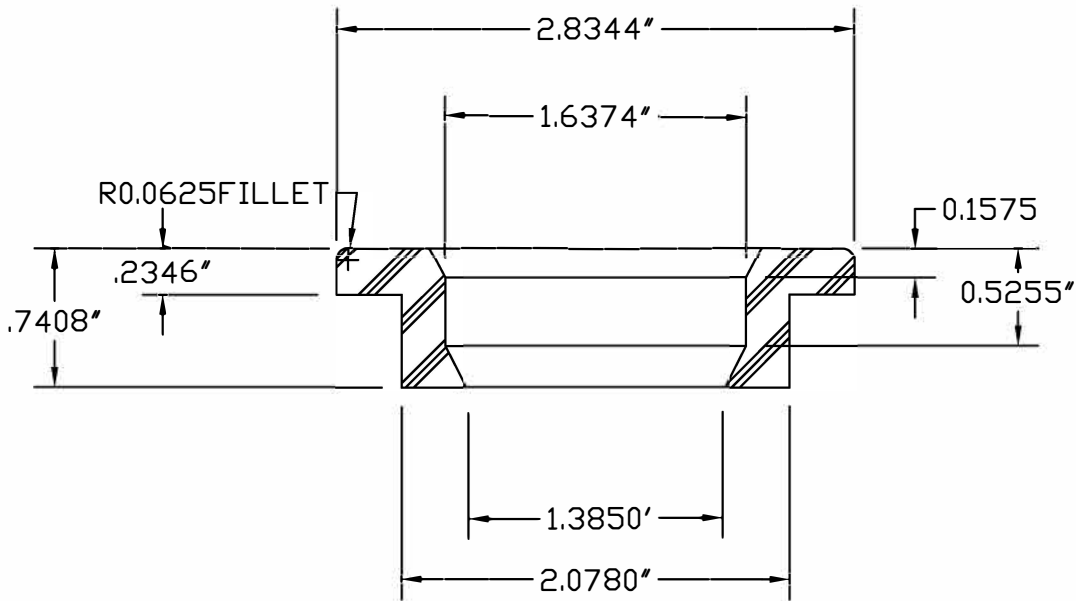
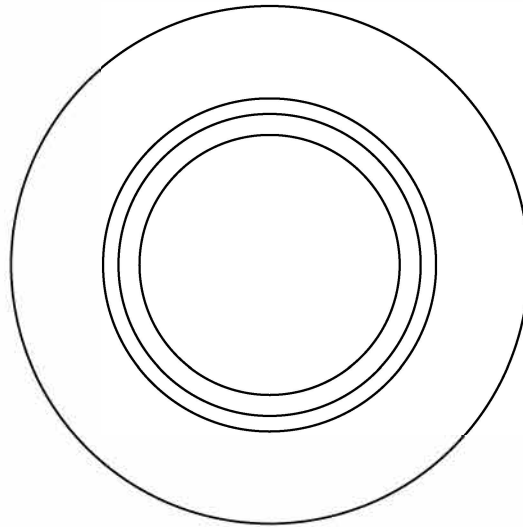


PART/PRINT #:	PART DESCRIPTION:	SCALE:	REVISION:	DATE:
AKP10035	NEOPRENE ADAPTAFLEX 1.25" FOR 2" HOLE	NOT TO SCALE	002	12/27/02



DRAINAGE SOLUTIONS, INC

1/20# 11% & 28##"

ii i 2dS] SWa'gf[a` e] ULa_

B.O.M
AKR50360 1 1/4" ADAPTAFLEX NS



AK INDUSTRIES INC.
2055 PIDCO DR.
PLYMOUTH, IN. 46563
PHONE (574) 936-6022

DRAWN BY:
M. OLIVAREZ

TOLERANCE:
± 0.0250 UNLESS SPECIFIED OTHERWISE

SIGNATURE:

THIS DRAWING IS THE SOLE PROPERTY OF AK INDUSTRIES INC.