

PART/PRINT #:

AKP10070

PART DESCRIPTION:

NEOPRENE ADAPTALEX 2"

SCALE:

NOT TO SCALE

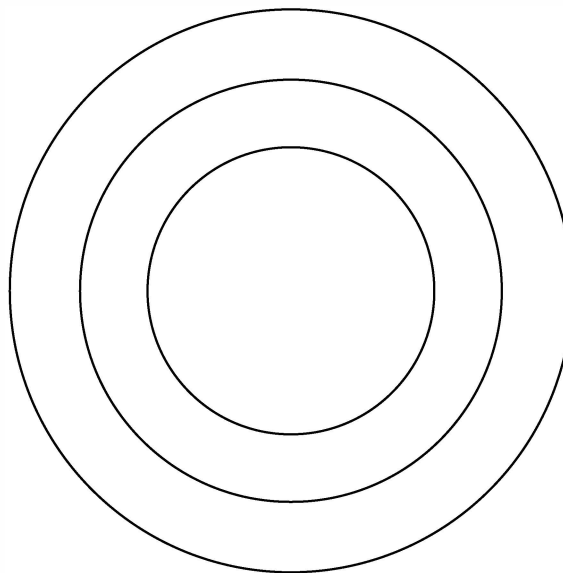
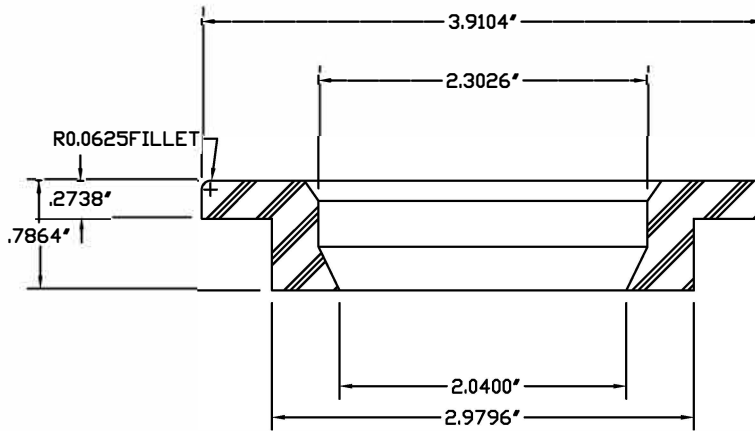
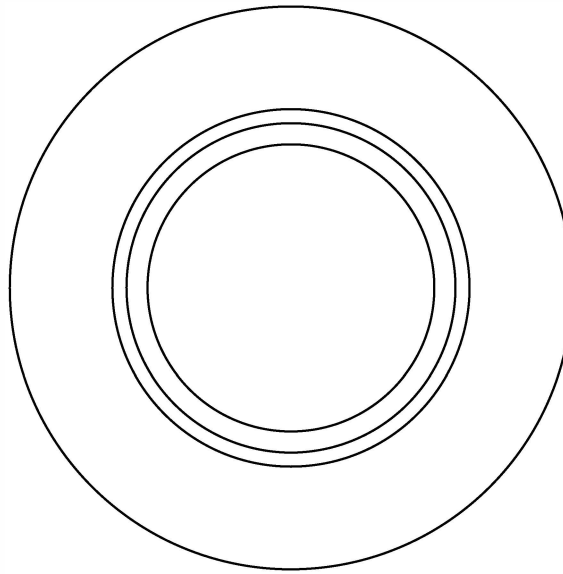
REVISION:

002

DATE:

12/27/02

THIS DRAWING IS THE SOLE PROPERTY OF AK INDUSTRIES INC.



DRAINAGE SOLUTIONS, INC

B.O.M  
AKR50440 2" ADAPTALEX

AK INDUSTRIES INC.  
2055 PIDCO DR.  
PLYMOUTH, IN. 46563  
PHONE: (574) 936-6022



AK INDUSTRIES INC.  
2055 PIDCO DR.  
PLYMOUTH, IN. 46563  
PHONE: (574) 936-6022

DRAWN BY:  
M. OLIVAREZ

TOLERANCE:  
± 0.0250 UNLESS SPECIFIED OTHERWISE

SIGNATURE: