

PART/PRINT #:  
AKP10080

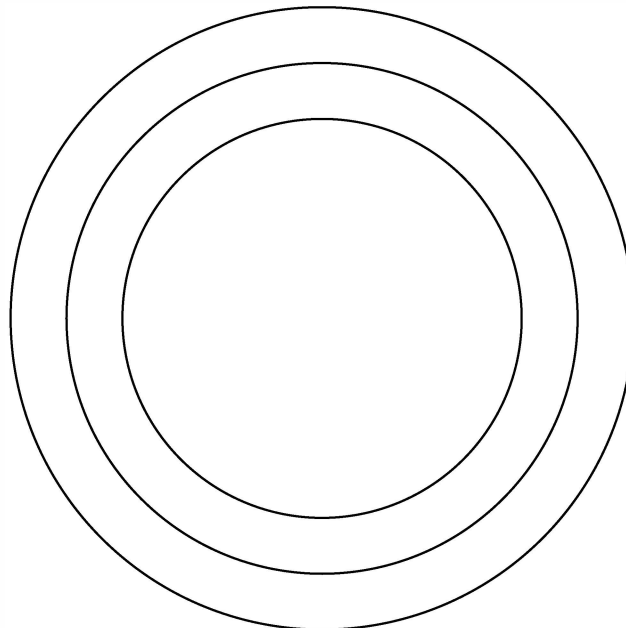
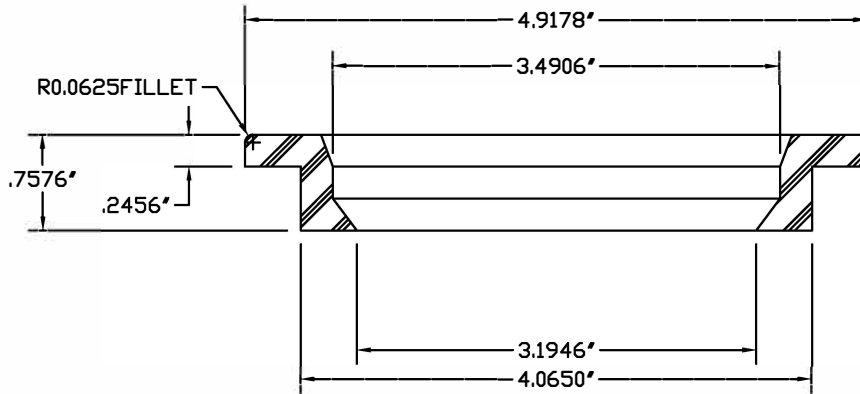
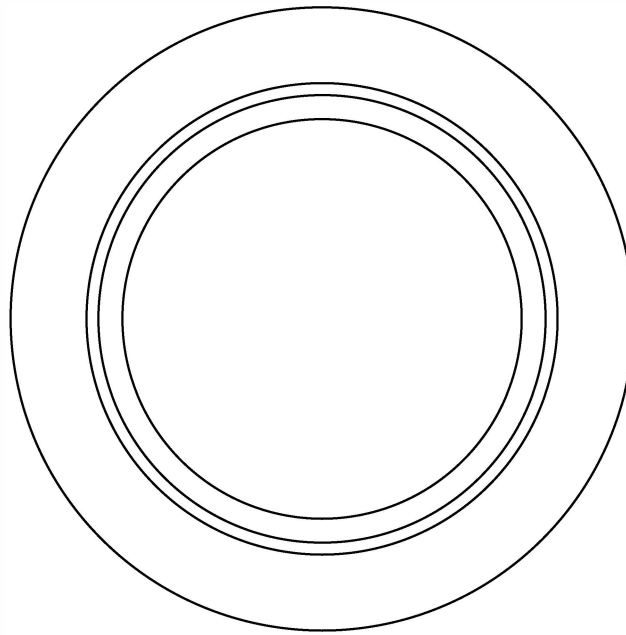
PART DESCRIPTION:  
NEOPRENE ADAPTALEX 3"

SCALE:  
NOT TO SCALE

REVISION:  
002

DATE:  
1/6/03

THIS DRAWING IS THE SOLE PROPERTY OF AK INDUSTRIES INC.



**DRAINAGE SOLUTIONS, INC**

AK INDUSTRIES INC.

AK INDUSTRIES INC. 2055 PIDCO DR. PLYMOUTH, IN. 46563 PHONE: (574) 936-6022

B.O.M  
AKR50600 3" ADAPTALEX



AK INDUSTRIES INC.  
2055 PIDCO DR.  
PLYMOUTH, IN. 46563  
PHONE: (574) 936-6022

DRAWN BY:  
M. OLIVAREZ

TOLERANCE:  
± 0.0250 UNLESS SPECIFIED OTHERWISE

SIGNATURE: