

PART/PRINT #:

PART DESCRIPTION:

SCALE:

REVISION:

DATE:

AKP10100

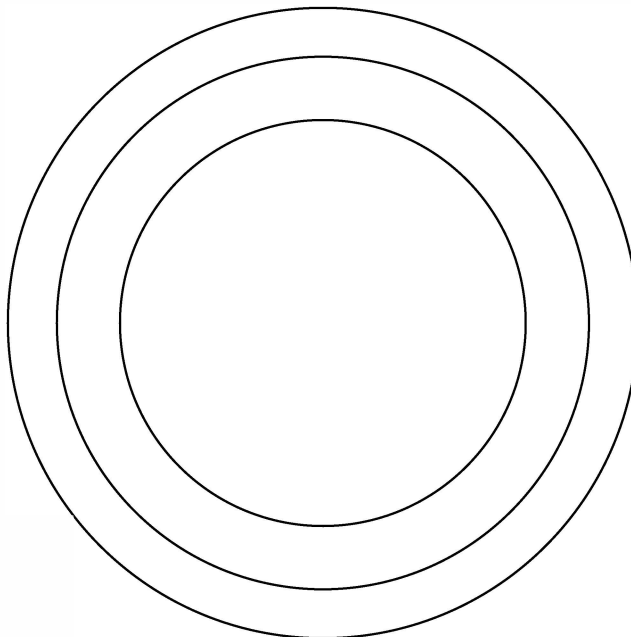
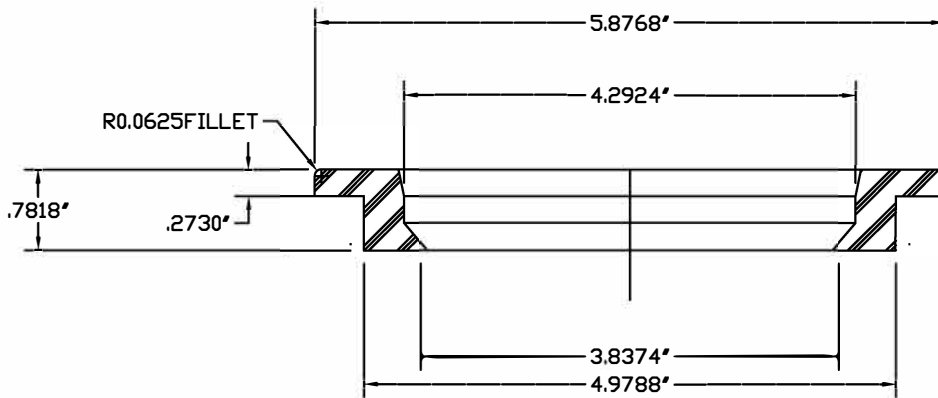
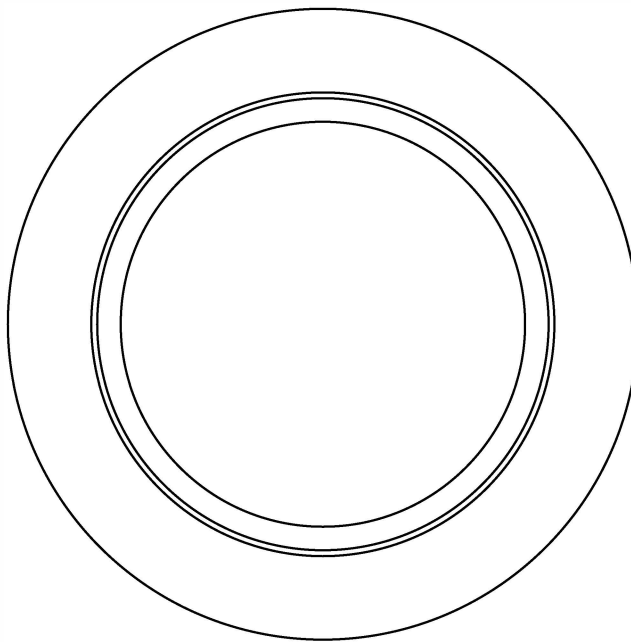
NEOPRENE ADAPTAFLEX 4" SCH 35

NOT TO SCALE

002

1/6/03

THIS DRAWING IS THE SOLE PROPERTY OF AK INDUSTRIES INC.



DRAINAGE SOLUTIONS, INC

B.O.M

AKR30250 4" SCH35 ADAPTAFLEX

AK INDUSTRIES INC. 2055 PIDCO DR. PLYMOUTH, IN. 46563 PHONE: (574) 936-6022



AK INDUSTRIES INC. 2055 PIDCO DR. PLYMOUTH, IN. 46563 PHONE: (574) 936-6022

DRAWN BY: M. OLIVAREZ

TOLERANCE: ± 0.0250 UNLESS SPECIFIED OTHERWISE

SIGNATURE: