

PART/PRINT #:

PART DESCRIPTION:

SCALE:

REVISION:

DATE:

AKP10110

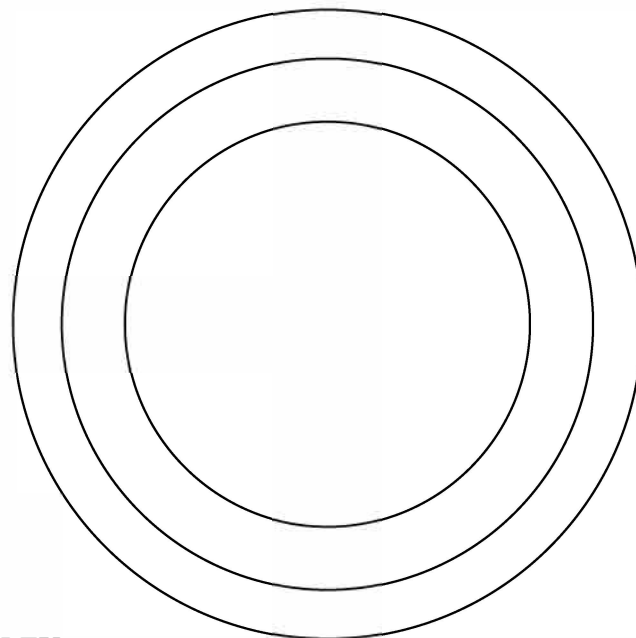
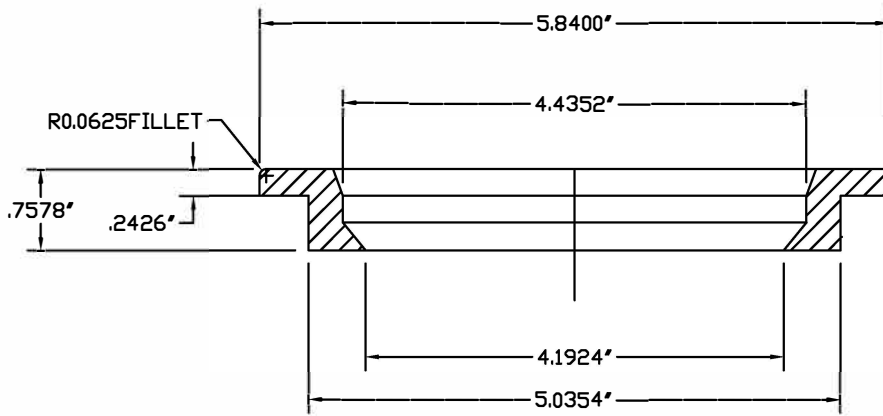
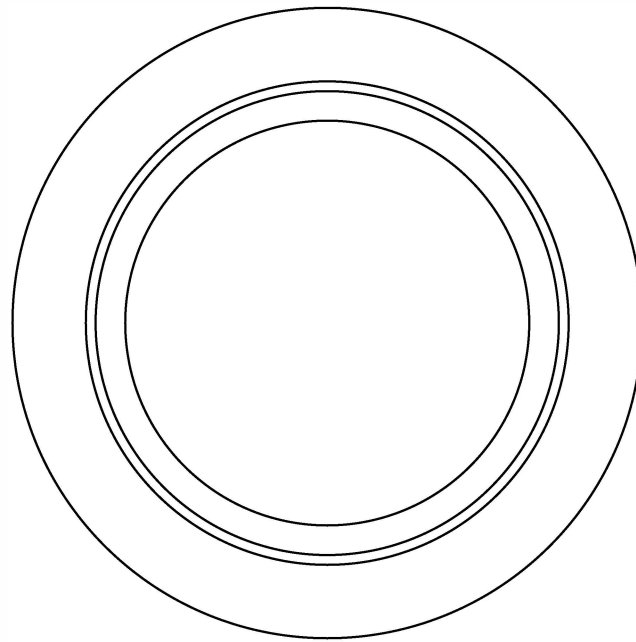
NEOPRENE ADAPTAFLEX 4" SCH40

NOT TO SCALE

002

1/6/03

THIS DRAWING IS THE SOLE PROPERTY OF AK INDUSTRIES INC.



DRAINAGE SOLUTIONS, INC

100% CUSTOMER SATISFACTION

100% CUSTOMER SATISFACTION

B.O.M

AKR50675 4" SXH40 ADAPTAFLEX



AK INDUSTRIES INC.
 2055 PIDCO DR.
 PLYMOUTH, IN. 46563
 PHONE: (574) 936-6022

DRAWN BY:
 M. OLIVAREZ

TOLERANCE:
 ± 0.0250 UNLESS SPECIFIED OTHERWISE

SIGNATURE: