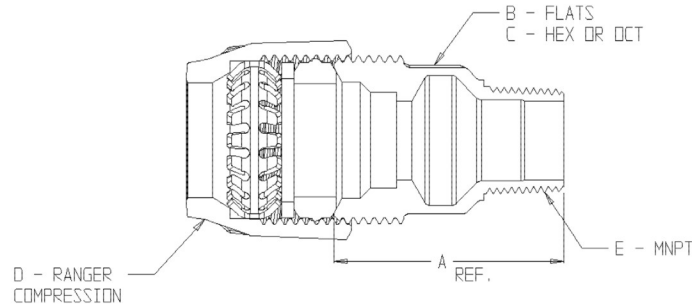


SUBMITTAL DATA SHEET



NL Service Fitting – 74753-11

-11 Ranger Compression x MNPT



MODEL	SIZE	PIPE /TUBE SIZE RANGE (in)	A	B	C	D	E
74753-11	3/4	.871-1.089	2.19	1.38	OCT	3/4	3/4
74753-11	1	1.120-1.399	2.77	1.65	OCT	1	1
74753-11	3/4 X 1	.871-1.089	2.43	1.38	OCT	3/4	1
74753-11	1 X 3/4	1.120-1.399	2.62	1.85	OCT	1	3/4
74753-11	1 1/4	1.370-1.804	2.91	1.70	OCT	1 1/4	1 1/4
74753-11	1 1/2	1.619-2.109	3.36	2.00	OCT	1 1/2	1 1/2
74753-11	2	2.119-2.709	3.96	2.50	OCT	2	2

NOTE: McDONALD RANGER NUTS ARE NOT COMPATIBLE WITH OTHER MANUFACTURERS COMPRESSION NUT SYSTEMS
 McDONALD RANGER NUTS ARE NOT COMPATIBLE WITH OTHER McDONALD COMPRESSION NUT SYSTEMS

SUBMITTAL INFORMATION

- Manufactured in compliance with ANSI/AWWA C800 (latest revision)
- Brass components in contact with potable water conform to ASTM B584, UNS C89833 (latest revision) and identified with “NL”
- Certified to NSF/ANSI 61 and NSF/ANSI 372
- Brass components not in contact with potable water conform to ASTM B62 and ASTM B584, UNS C83600 -85-5-5-5 (latest revision)
- Large wrench flats provided for proper installation
- Insert stiffeners required on all flexible plastic connections



A.Y. McDonald Mfg. Co.
 4800 Chavenelle Rd
 Dubuque, IA 52002

Toll Free: 1-800-292-2737
 sales@aymcdonald.com
aymcdonald.com

A.Y. McDonald considers the information on this assembly drawing correct when published. Item and option availability, including specifications, are subject to change without notice.

Submitted by:



(317) 346-4110
www.drainagesolutionsinc.com