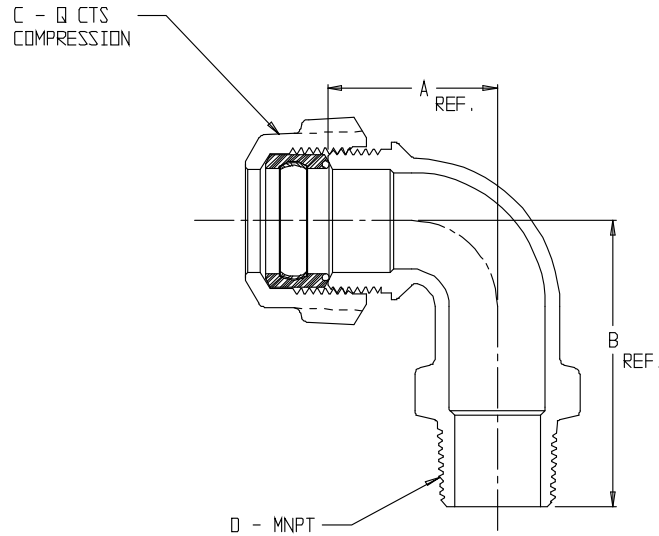


SUBMITTAL DATA SHEET

NL Service Fitting – 74779MQ

Q CTS Compression x MNPT



MODEL NO.	SIZE	A	B	C	D
74779MQ	3/4	1.49	2.50	3/4	3/4
74779MQ	1	1.96	2.64	1	1
74779MQ	1 X 3/4	1.88	2.19	1	3/4
74779MQ	1 1/4 X 1	2.25	3.16	1 1/4	1
74779MQ	1 1/2	2.91	2.91	1 1/2	1 1/2
74779MQ	2	3.10	3.10	2	2

SUBMITTAL INFORMATION

- Manufactured in compliance with ANSI/AWWA C800 (latest revision)
- Brass components in contact with potable water conform to ASTM B584, UNS C89833 (latest revision) and identified with “NL”
- Certified to NSF/ANSI 61 and NSF/ANSI 372
- Brass components not in contact with potable water conform to ASTM B62 and ASTM B584, UNS C83600 -85-5-5-5 (latest revision)
- Large wrench flats provided for proper installation
- Insert stiffeners required on all flexible plastic connections



A.Y. McDonald Mfg. Co.
 P.O. Box 508
 Dubuque, IA 52004-508

Toll Free: 1-800-292-2737
Fax: 1-800-832-9296
Hours: 7:00 a.m. – 5:00 p.m., CST

sales@aymcdonald.com
www.aymcdonald.com

A.Y. McDonald considers the information on this assembly drawing correct when published. Item and option availability, including specifications, are subject to change without notice.

Submitted by:



(317) 346-4110
www.drainagesolutionsinc.com

09-14