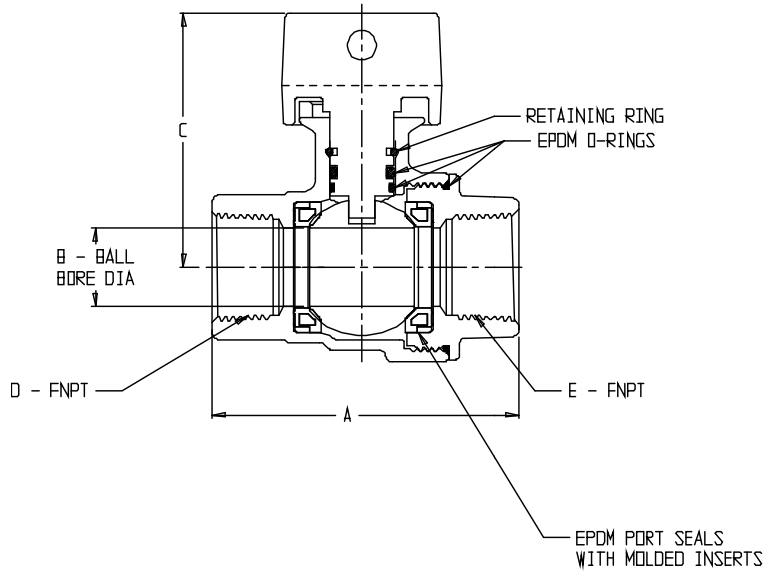


# SUBMITTAL DATA SHEET

## NL Ball Style Curb Stop – 76101

FNPT x FNPT



MODEL	SIZE	A	B	C	D	E
76101	1/2 X 5/8 X 1/2	2.88	.625	2.31	1/2	1/2
76101	3/4 X 5/8 X 3/4 X 3.50	3.50	.625	2.31	3/4	3/4
76101	3/4 X 5/8 X 3/4 X 3.75	3.66	.625	2.31	3/4	3/4
76101	3/4	2.94	.750	2.39	3/4	3/4
76101	3/4 X 5/8 X 3/4	2.81	.625	2.29	3/4	3/4
76101	1 X 3/4 X 3/4	3.09	.750	2.39	1	3/4
76101	1 X 3/4 X 1	3.32	.750	2.39	1	1
76101	1 X 3/4 X 1 X 3.50	3.52	.750	2.39	1	1
76101	1	3.47	1.00	2.65	1	1
76101	1 1/4 X 1 X 1	3.61	1.00	2.65	1 1/4	1
76101	1 1/4 X 1 X 1 1/4	4.31	1.00	2.65	1 1/4	1 1/4
76101	1 1/4	3.83	1.25	2.94	1 1/4	1 1/4
76101	1 1/2	4.29	1.50	3.39	1 1/2	1 1/2
76101	2	5.07	2.00	3.67	2	2
76101	2 1/2 X 2 X 2 1/2	8.85	2.00	3.67	2 1/2	2 1/2

### SUBMITTAL INFORMATION

- Manufactured in compliance with ANSI/AWWA C800 (latest revision)
- Brass components in contact with potable water conform to ASTM B584, UNS C89833 (latest revision) and identified with "NL"
- Certified to NSF/ANSI 61 and NSF/ANSI 372
- Brass components not in contact with potable water conform to ASTM B62 and ASTM B584, UNS C83600 -85-5-5-5 (latest revision)
- PTFE coated brass ball
- Rated for 300 PSIG water pressure
- Blow out proof EPDM port seals
- End piece joint sealed with an EPDM o-ring and thread locker



**A.Y. McDonald Mfg. Co.**  
P.O. Box 508  
Dubuque, IA 52004-508

**Toll Free: 1-800-292-2737**

**Fax: 1-800-832-9296**

**Hours: 7:00 a.m. – 5:00 p.m., CST**

[sales@aymcdonald.com](mailto:sales@aymcdonald.com)

[www.aymcdonald.com](http://www.aymcdonald.com)

A.Y. McDonald considers the information on this assembly drawing correct when published. Item and option availability, including specifications, are subject to change without notice.

**Submitted by:**



(317) 346-4110

[www.drainagesolutionsinc.com](http://www.drainagesolutionsinc.com)

10-14