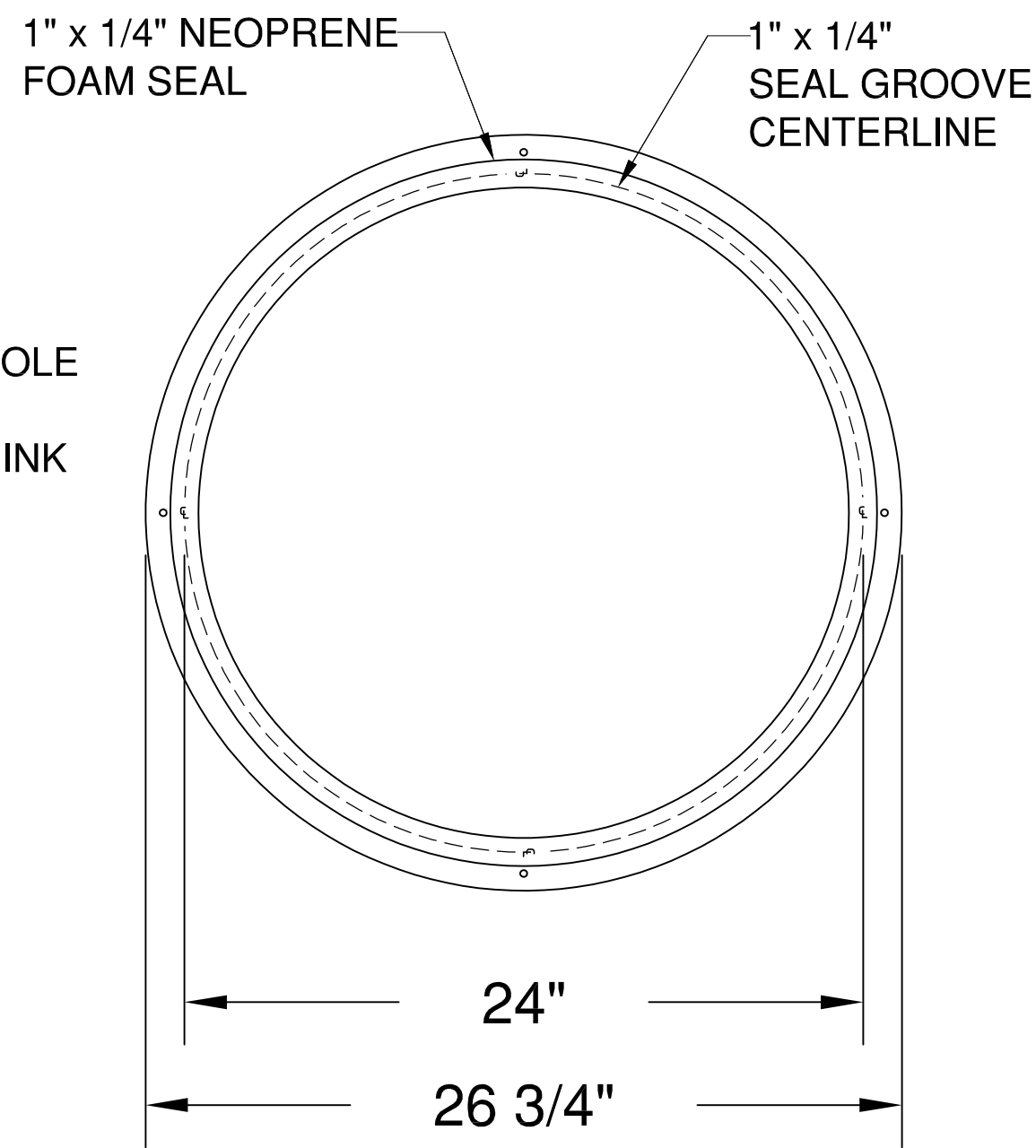
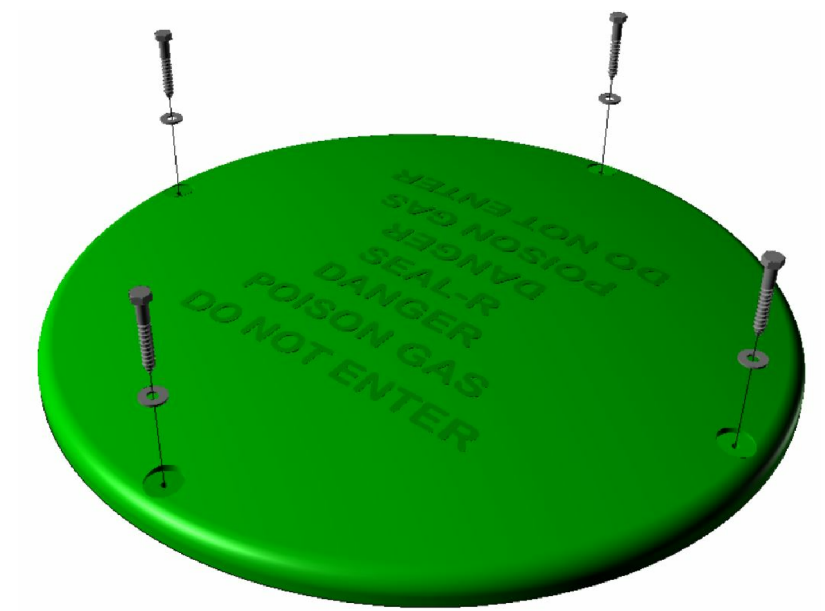


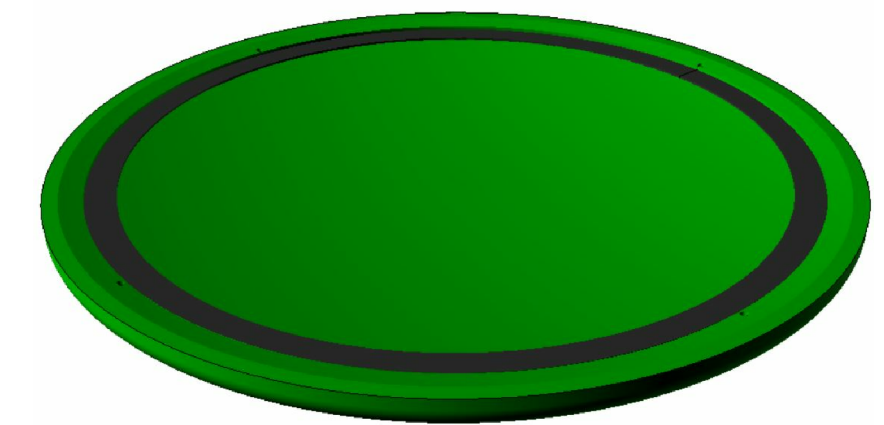
TOP VIEW



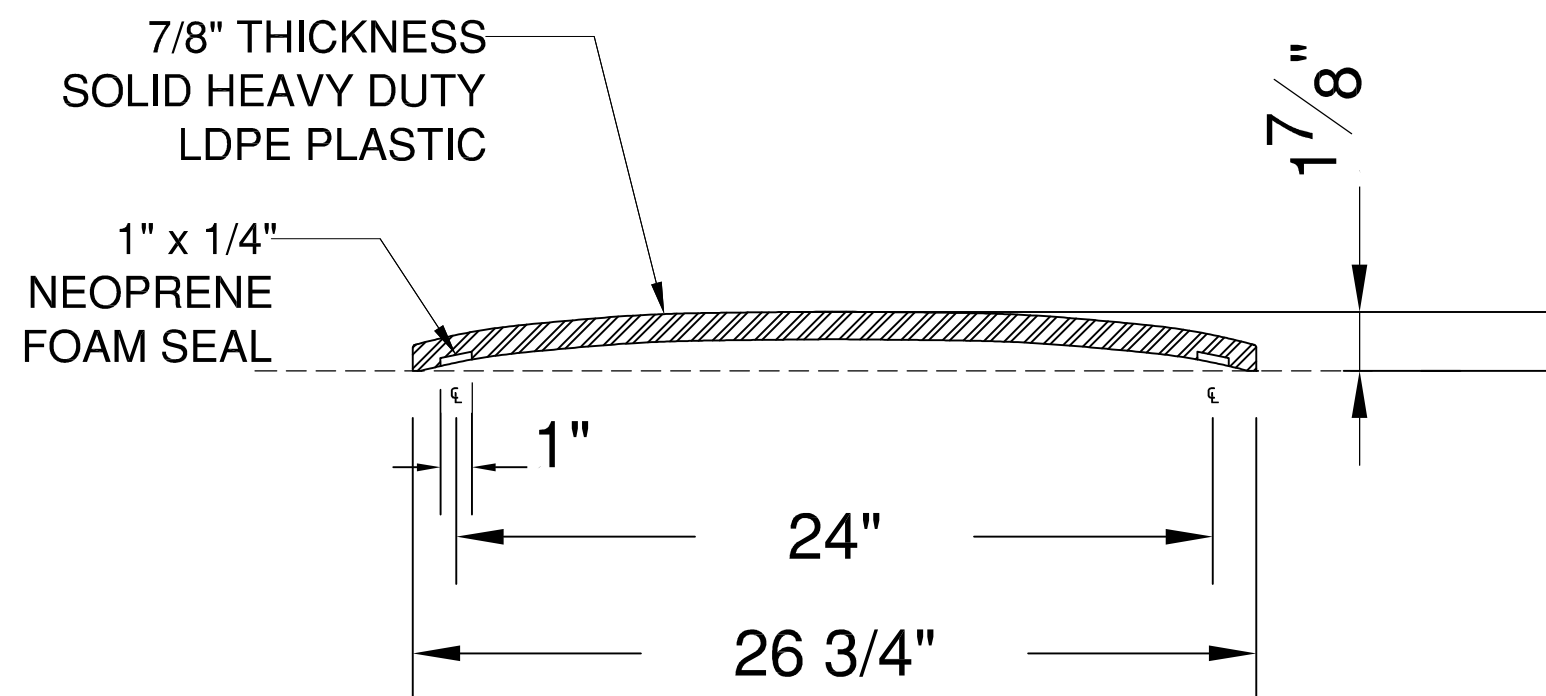
BOTTOM VIEW



TOP PERSPECTIVE VIEW



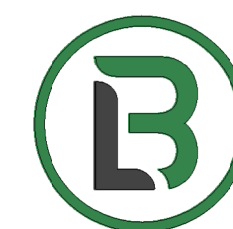
BOTTOM PERSPECTIVE VIEW



SECTION A-A

APPROXIMATE WEIGHT: 19 LBS

*ALL DIMENSIONS MAY HAVE SLIGHT VARIANCES



BrenLin
COMPANY, INC.

Manufacture of Seal-R™ Products

13999 Co Hwy 11
Herman, MN 56248
brenlin@frontiernet.net

DWG TITLE

**24 INCH RISER LID
OUTLINE DRAWING**

DWG NO.

SR24RL