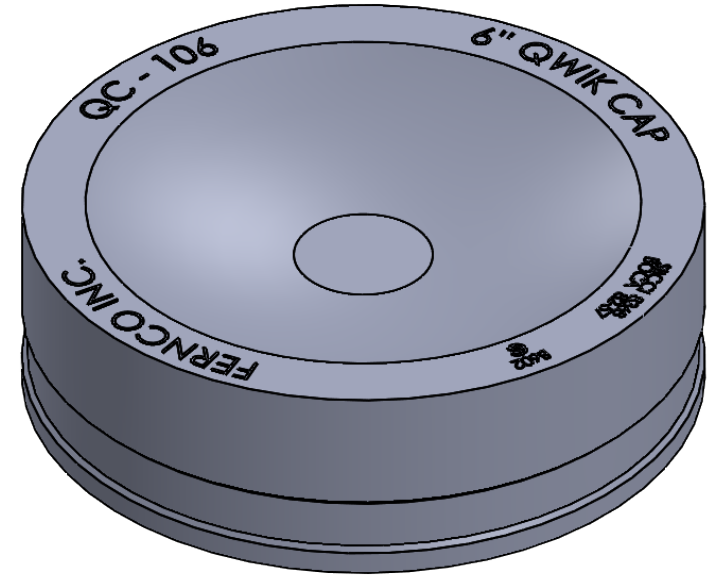


SECTION A-A



**DRAINAGE  
SOLUTIONS, INC**

(317) 346-4110

www.drainagesolutionsinc.com

Note:

PROPRIETARY AND CONFIDENTIAL  
THE INFORMATION CONTAINED IN THIS  
DRAWING IS THE SOLE PROPERTY OF  
FERNCO, INC. ANY REPRODUCTION IN  
PART OR AS A WHOLE WITHOUT THE  
WRITTEN PERMISSION OF FERNCO, INC.  
IS PROHIBITED.

TOLERANCES:  
Fractional  $\pm 1/4"$   
.XX =  $\pm .06$   
ANG. =  $\pm 3^\circ$   
UNLESS OTHERWISE SPECIFIED

Part Weight		Installation Torque	60 in lbs	UNITS:	SIZE:	AUTHOR:	SCALE:
Min/Max Temp.	-30/140 Degrees F	ASTM	D5926	INCHES	<b>A</b>	Eli Miller	not to scale
Pressure Tested		Clamps used	300 Series Stainless	3RD ANGLE PROJECTION		CHECKER:	DATE:
Material	Flexible PVC 60 Duro Shore A	Box Quantity		DO NOT SCALE DRAWING			08/09/2017
							SHEET 1 OF 1