



ASSEMBLING THE DRAIN COVER INLAY LID

INSTALL EQUIPMENT REQUIRED

CIRCULAR SAW + ANGLE GRINDER + TAPE MEASURE + CAULKING GUN + MARKER

1 SELECT INLAY

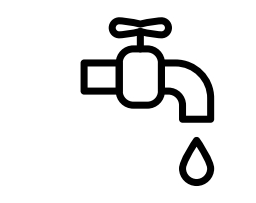
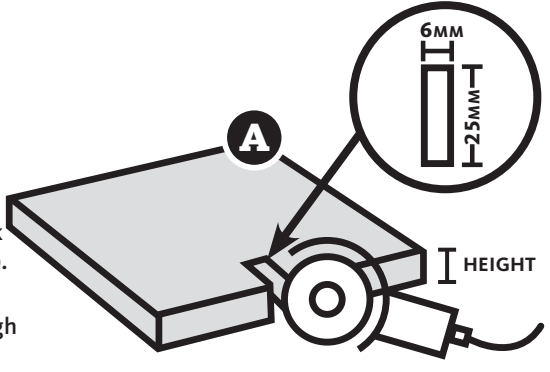
Select defect-free inlay materials that match the landscape surrounds.

2 CUT INLAY TO SIZE

Cut inlay material to fit inside the Inlay Lid allowing for a 1mm clearance on all sides.
Note: If using tumbled/chiselled edge tile/stone cut all 4 edges for a better finish.

3 CUT A KEYWAY

Mark the centre on the inlay material (A) edge.
 At the centre point, mark a cut 6mm (w) x 25mm (l).
 Use an angle grinder (for stone/tiles) to cut through the full tile height.

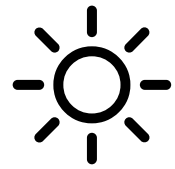


4 CLEAN THE CUT INLAY

Rinse well with water to remove ALL cutting dust.

5 DRY THE CUT INLAY

Allow inlay material to dry fully BEFORE proceeding.

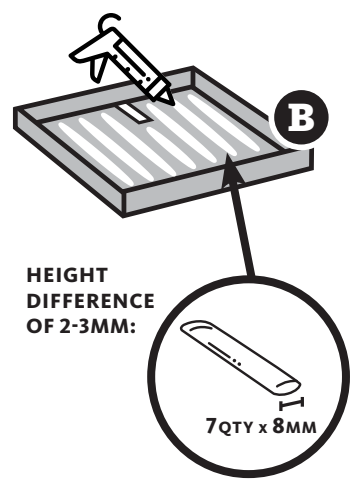
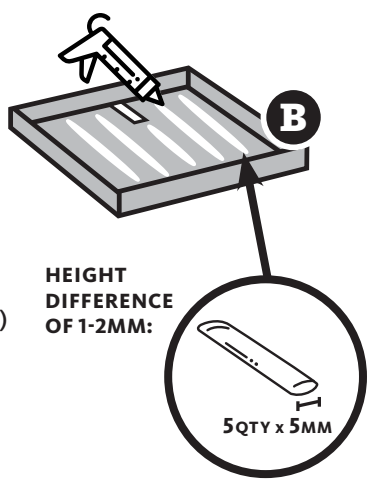


FAILURE TO COMPLETE THESE STEPS MAY RESULT IN A WEAK ADHESIVE BOND.

6 CALCULATE ADHESIVE REQUIRED

CALCULATE:
 Inlay Lid (B) minus Height of Inlay Material (A) equals HEIGHT DIFFERENCE.

The HEIGHT DIFFERENCE determines the amount of adhesive to place on the inside of the Inlay Lid (B).



USE HEIGHT ADJUSTER FOR HEIGHT DIFFERENCE OVER 3MM:

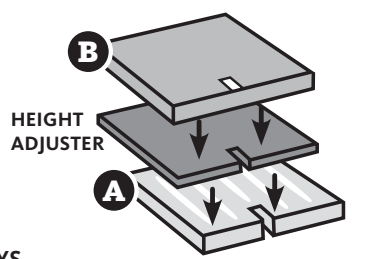
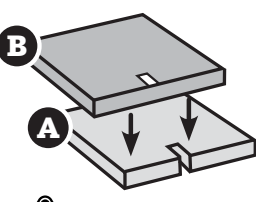
To calculate TOTAL adhesive to use with the Height Adjuster, remember there will be two lots of adhesive applied i.e. adhesive is applied inside the Inlay Lid (B) AND the reverse side of the inlay material (A).

AVOID PLACING ANY ADHESIVE WITHIN 10MM OF THE KEYWAY.

7 APPLY ADHESIVE + ASSEMBLE

NO HEIGHT ADJUSTER:
 Adhesive is only applied inside the Inlay Lid (B). Flip Inlay Lid (B) over and press down onto reverse side of the inlay material (A).

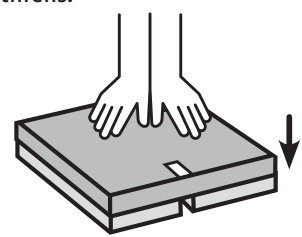
WITH HEIGHT ADJUSTER:
 Adhesive is applied inside the Inlay Lid (B) AND the reverse side of the inlay material (A). Flip Inlay Lid (B) over and press down as shown below.



MATCH UP KEYWAYS

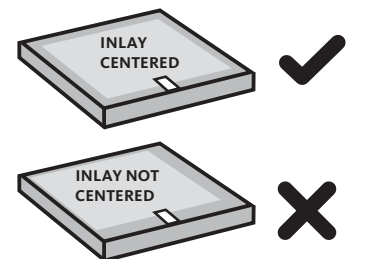
8 LEVEL OFF + WAIT

Ensure the materials fitted into the Inlay Lid are sitting flush with the top of the Lid. If not, gently press down until they are. Then wait 15 mins while adhesive stiffens.



9 ADJUST INLAY MATERIALS

Flip assembled lid over. Adjust the inlay materials to be centred within the Inlay Lid.



LET ADHESIVE SET 24HRS



INSTALLING THE DRAIN COVER EDGE PROTECTOR

INSTALL EQUIPMENT REQUIRED

ANGLE GRINDER

TAPE MEASURE

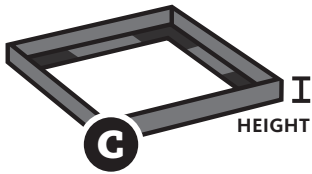
PROTECTIVE WEAR

MARKER



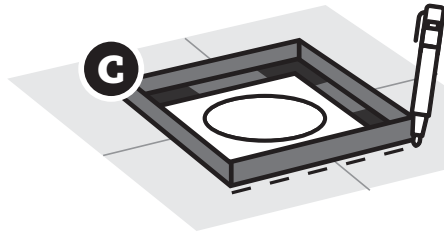
1 NEW SITE

When laying the site base, provide for the height of the Edge Protector (C). This will eliminate the need to cut extra depth into the site base at a later date.

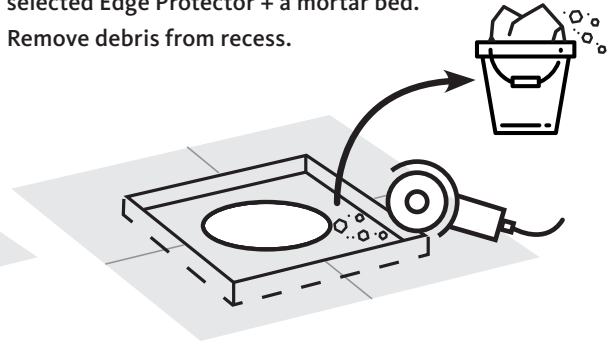


EXISTING SITE

Remove existing drain cover components. Use the Edge Protector (C) as a guide and centre over the drainage pipe. Mark up allowing for extra 1-2mm clearance on all sides.

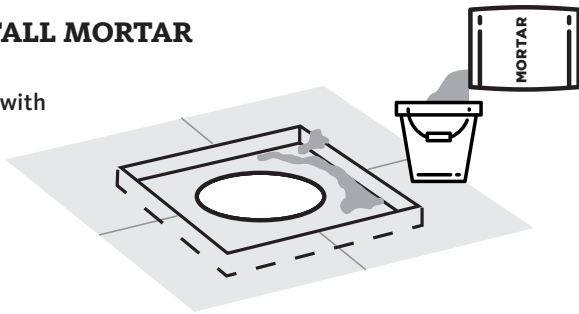


Cut to a depth which matches that of your selected Edge Protector + a mortar bed. Remove debris from recess.

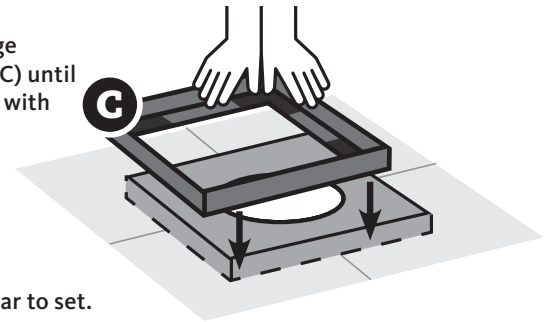


2 INSTALL MORTAR

Fill the recess with a mortar bed.



Push in Edge Protector (C) until it sits level with surrounds.

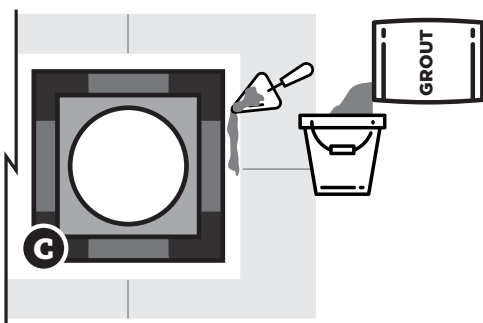


Allow mortar to set.

3 INSTALL GROUT

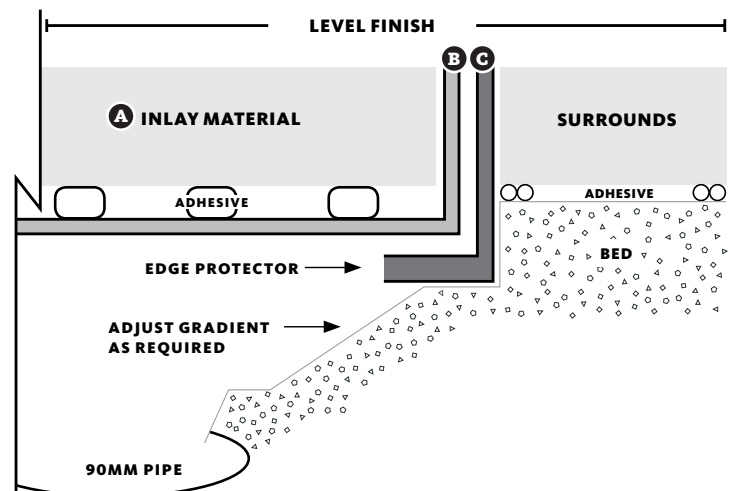
Grout the Edge Protector (C) and allow to set.

TOP VIEW OF INSTALL



4 COMPLETED INSTALL

CROSS SECTION VIEW OF INSTALL



(317)346-4110

drainagesolutionsinc.com

NOTE - INSTALLATION IS ONLY COMPLETE WHEN:

REMOVE SAFETY KEY FROM LID

NEVER leave the HIDE Safety Key in the lid for any reason, especially after install. Leaving the Safety Key in an installed cover is a trip hazard and not child-safe. Avoid a possible accident or injury by removing the Safety Key.

PASS HOMEOWNER

PASS the Safety Key to the homeowner for secure storage. The "Home Owners Manual" packet should also be given to the homeowner.