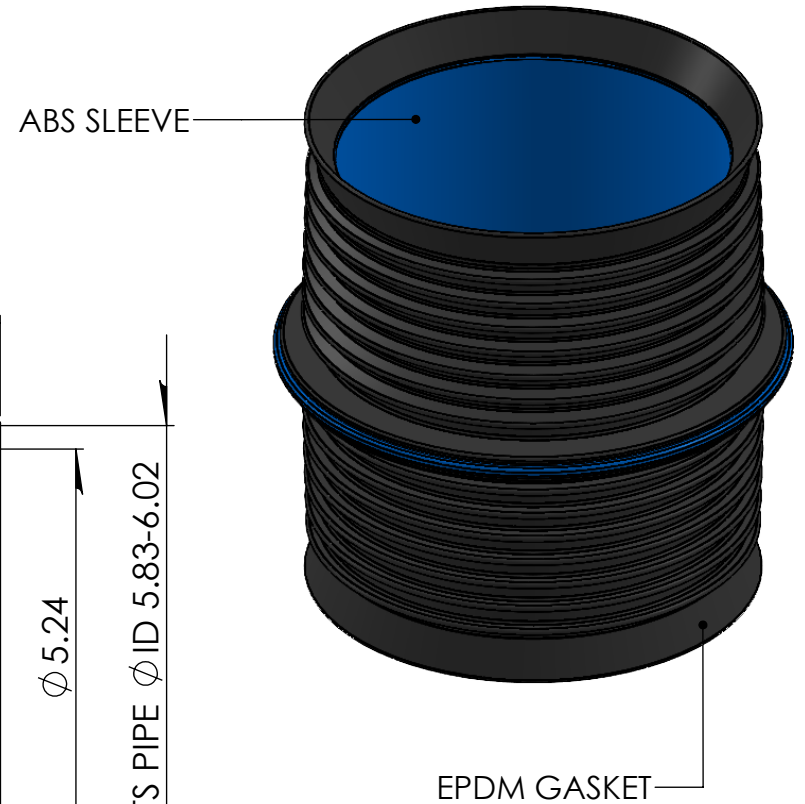
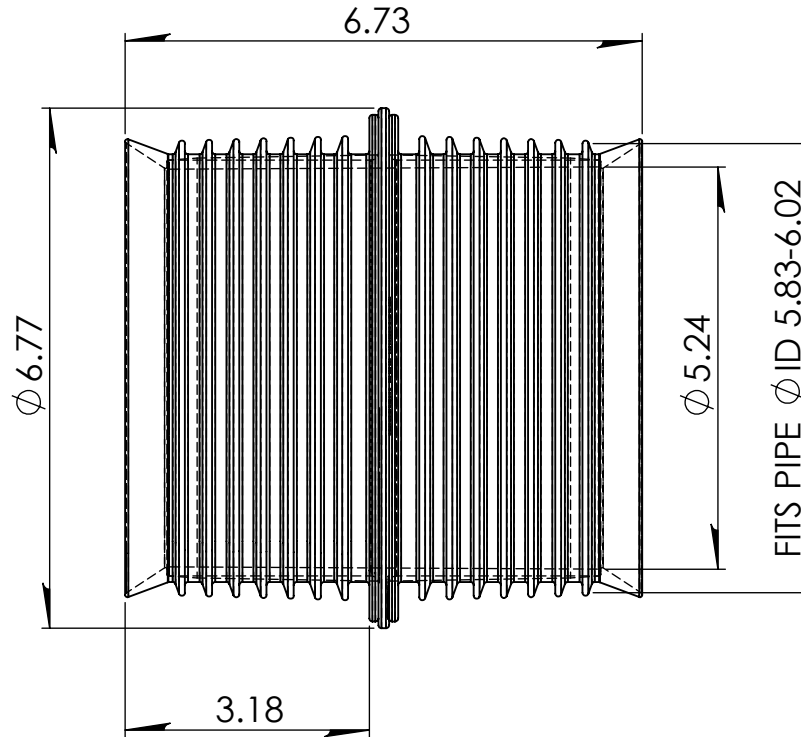
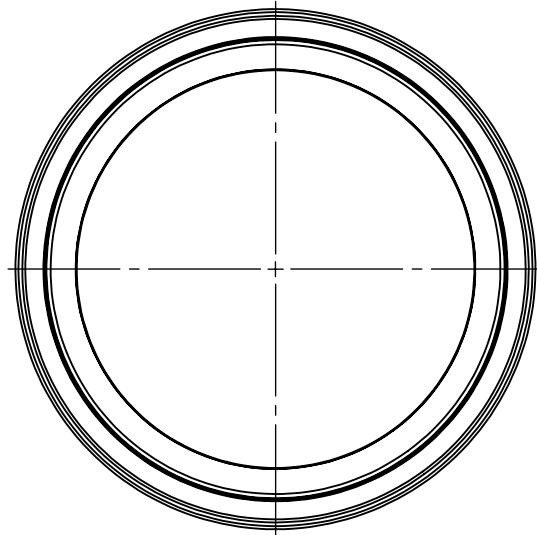


(317) 346-4110
www.drainagesolutionsinc.com



NOTE:

PROPRIETARY AND CONFIDENTIAL THE INFORMATION CONTAINED IN THIS DRAWING IS THE SOLE PROPERTY OF FERNCO, INC. ANY REPRODUCTION IN PART OR AS A WHOLE WITHOUT THE WRITTEN PERMISSION OF FERNCO, INC. IS PROHIBITED.

TOLERANCES:
FRACTIONAL ± 1/4"
.XX = ± .06
ANG. = +3°
UNLESS OTHERWISE SPECIFIED

GASKET MATERIAL	EPDM	MIN/MAX TEMP.	-30/140 °F	UNITS:	INCHES	SIZE:	A	AUTHOR:	ELI MILLER	SCALE:	NOT TO SCALE
GASKET COMPLIES	BS EN 681-1/ASTM C1173	PRESSURE TESTED	4.3 PSI	3RD ANGLE PROJECTION DO NOT SCALE DRAWING		CHECKER:		DATE:	12/4/2020	SHEET 1 OF 1	
SLEEVE MATERIAL	ABS										
SLEEVE COMPLIES	ASTM D3965										