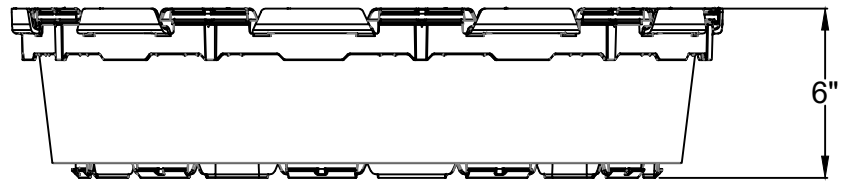
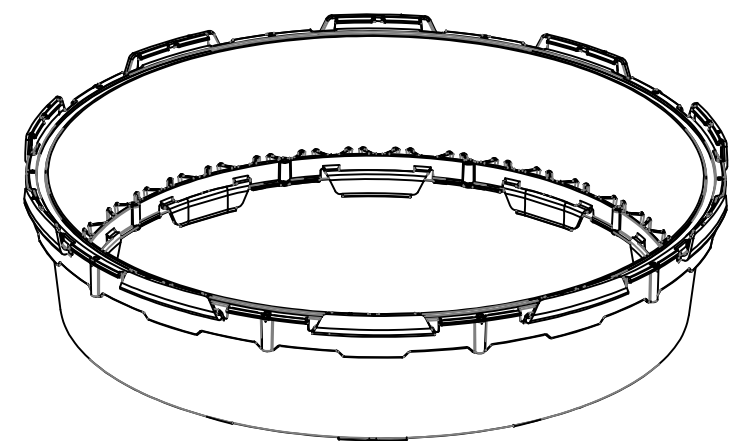
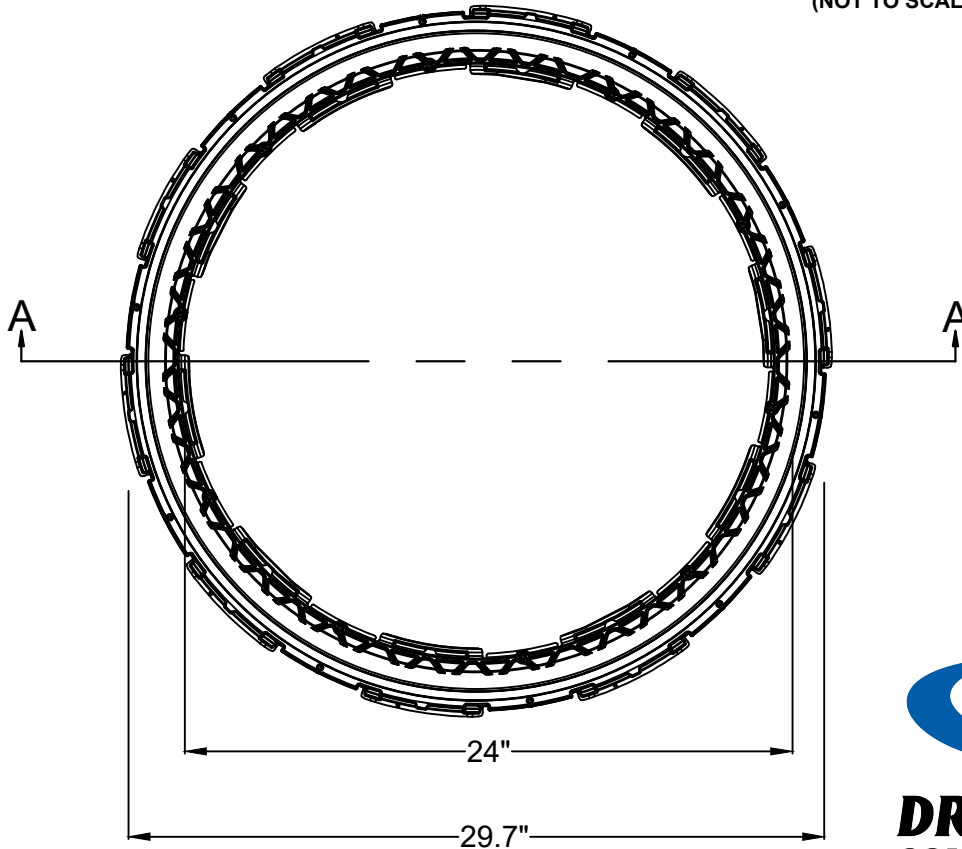


Q:\Technical Resources New\02--ISI_PRODUCTS\15 - RISERS\EZsnap\Archived\EZsnap Product Specifications

INFILTRATOR WATER TECHNOLOGIES


EZsnap 6" RISER
(NOT TO SCALE)



SECTION A-A



(317) 346-4110
www.drainagesolutionsinc.com

| | | |
|---|-------------|------------------|
|  INFILTRATOR water technologies | | |
| INFILTRATOR WATER TECHNOLOGIES 4 Business Park Rd. Old Saybrook, CT 06475 (800) 221-4436 | | |
| 6" EZsnap RISER SNAPRIS - 2406 | | |
| Drawn by: E. Alv. | | Date: 02/13/2018 |
| Scale: NOT TO SCALE | Checked by: | Sheet: 1 of 1 |