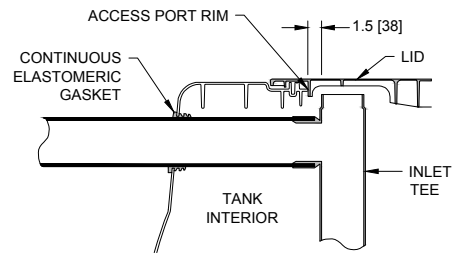
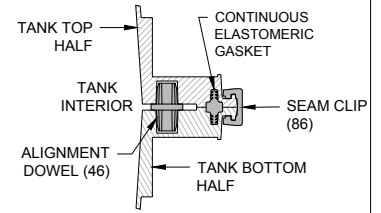


TOP VIEW



PIPE PENETRATION SECTION DETAIL

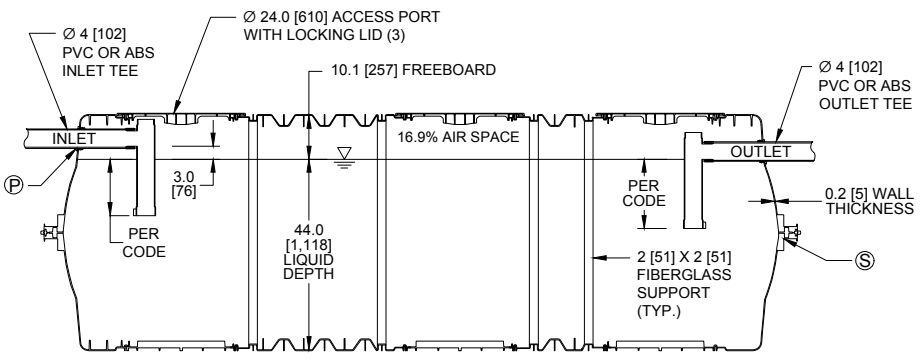


MID-HEIGHT SEAM SECTION DETAIL

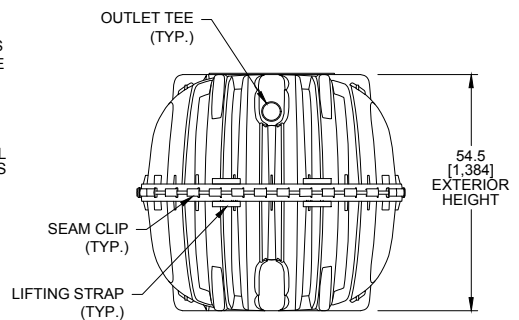
TANK EXTERIOR	
LENGTH	175.6 [4,460]
WIDTH	61.7 [1,567]
HEIGHT	54.5 [1,384]

LIQUID DEPTH	44.0 [1,118]
INVERT DROP	3.0 [76]
FREEBOARD	10.1 [257]

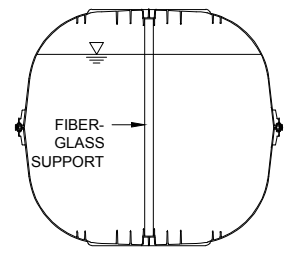
TOTAL CAPACITY	1,765 GAL [6,681 L]
WORKING VOLUME	1,509 GAL [5,712 L]



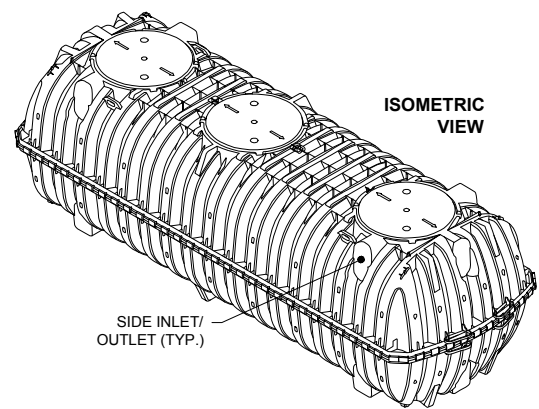
SECTION A - A'



END VIEW



SECTION B - B'



ISOMETRIC VIEW

NOTES:

- ALL DRAWING DIMENSIONS IN INCHES [MILLIMETERS] OR AS NOTED.
- EXTERIOR OF ACCESS OPENING LID INCLUDES THE FOLLOWING WARNING IN ENGLISH, FRENCH & SPANISH: "DANGER DO NOT ENTER: POISON GASES."
- TANK MARKINGS WILL INCLUDE: MANUFACTURER NAME, MODEL NUMBER, LIQUID CAPACITY, DATE OF MANUFACTURE, MAXIMUM BURIAL DEPTH, INLET, AND OUTLET.
- THE TANK MAY BE BACKFILLED WITH SUITABLE NATIVE SOIL. SEE INSTALLATION INSTRUCTIONS FOR GUIDANCE. IF THE NATIVE SOIL DOES NOT MEET THE INSTALLATION INSTRUCTIONS GUIDANCE THEN BACKFILLING WITH SELECT MATERIAL WILL BE REQUIRED.
- MAXIMUM BURIAL DEPTH IS 48 in [1,219 mm].
- MINIMUM BURIAL DEPTH IS 6 in [152 mm].
- TANK IS FOR NON-TRAFFIC APPLICATIONS.
- AIRSPACE IS 16.9%.
- OUTLET TEE IS COMPATIBLE WITH AN EFFLUENT FILTER.
- LENGTH TO WIDTH RATIO IS 2.8:1 (175.6-INCH LENGTH / 61.7-INCH WIDTH = 2.8).



DRAINAGE SOLUTIONS, INC.

(317) 346-4110

www.drainagesolutionsinc.com



INFILTRATOR WATER TECHNOLOGIES
4 Business Park Rd. Old Saybrook, CT 06475
(800) 221-4436

IM-1530
1-Compartment Septic/Pump Tank Configuration

Drawn by: JLB	Date: 10/09/2013
Scale: NOT TO SCALE	Checked by: DJL
	Sheet: 1 of 1

C:\technical Resources\New\02-31_Products\Tanks\Injection-Modified Tank\IM-1530\IM-1530_GENERIC_1 AND 2_COMPARTMENT_10092013

