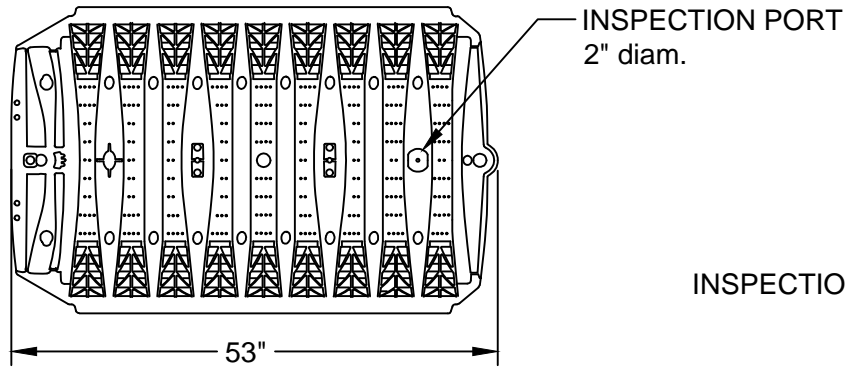
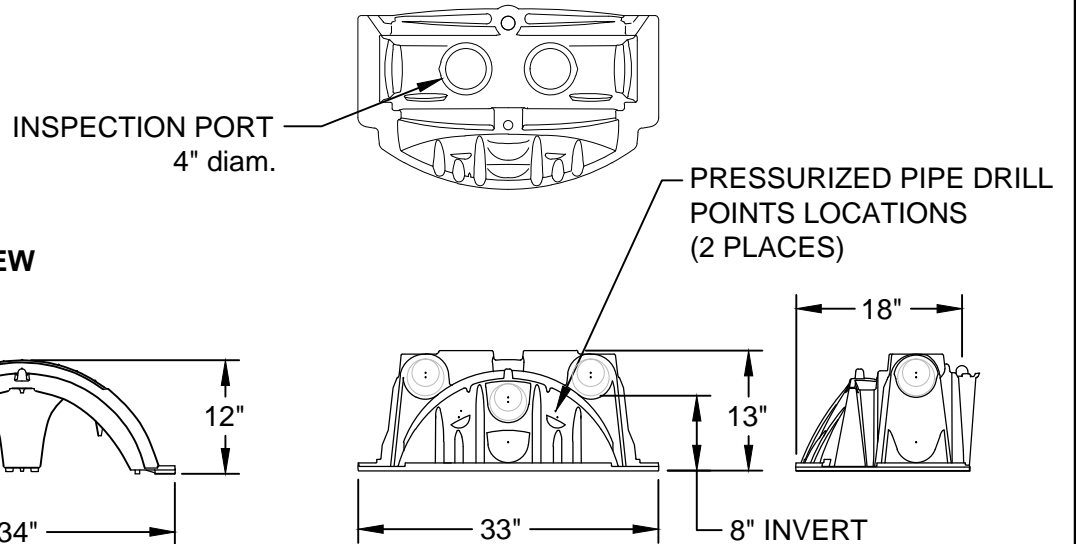


INFILTRATOR WATER TECHNOLOGIES
QUICK4 PLUS STANDARD CHAMBER
PRODUCT SPECIFICATIONS
 (NOT TO SCALE)

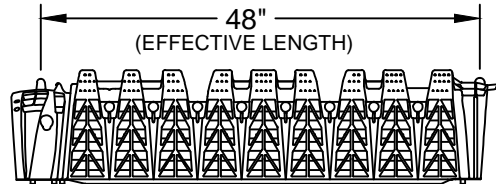
TOP VIEW



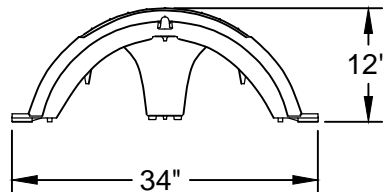
QUICK4 PLUS ALL-IN-ONE 12 END CAP



SIDE VIEW



END VIEW



DRAINAGE
SOLUTIONS, INC

(317) 346-4110
 www.drainagesolutionsinc.com



INFILTRATOR WATER TECHNOLOGIES
 4 Business Park Rd. Old Saybrook, CT 06475
 (800) 221-4436

QUICK4 PLUS STANDARD CHAMBER
 PRODUCT SPECIFICATIONS

Drawn by: EMB	Date: 05/20/2015
Scale: NOT TO SCALE	Checked by: DFH Sheet: 1 of 1