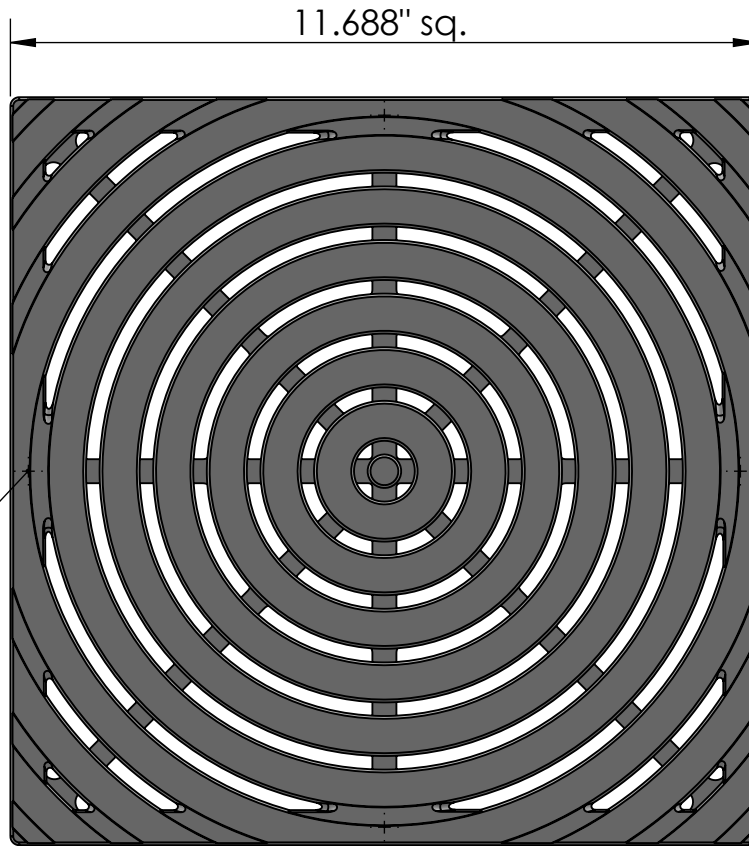


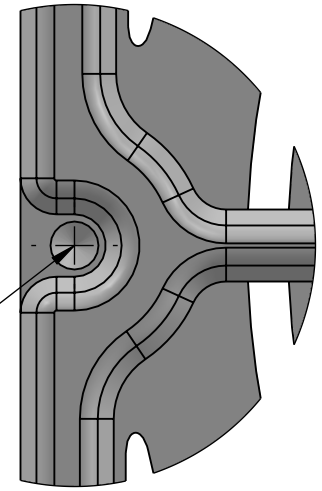
TOP VIEW
scale 1:3



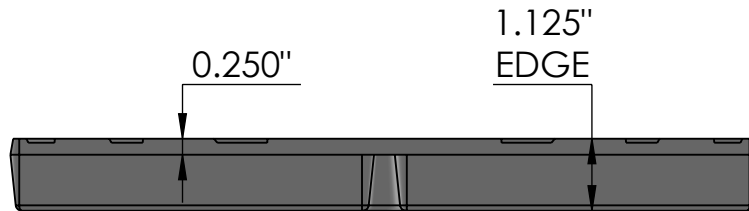
11.688" sq.

4 Drill Points
in Back

Drill Point (4x)
for 1/4"-20
Bolts

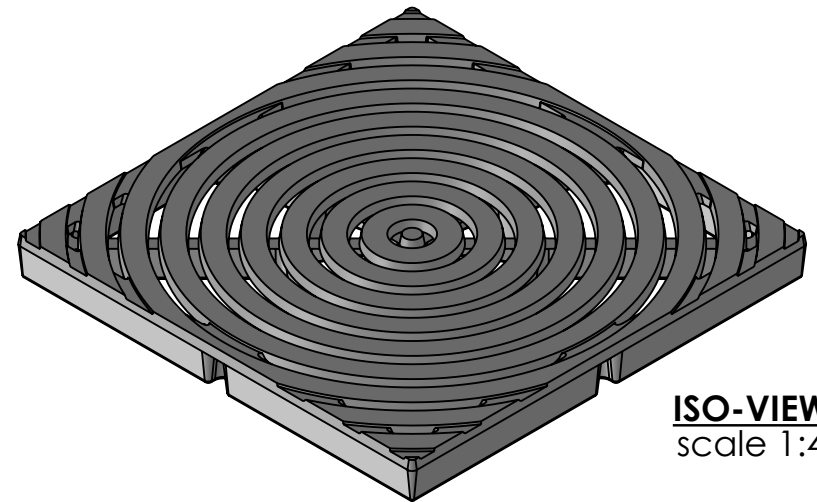


SIDE VIEW
scale 1:3



0.250"

1.125"
EDGE



ISO-VIEW
scale 1:4




DRAINAGE SOLUTIONS, INC (317) 346-4110
www.drainagesolutionsinc.com

Bullseye 12" x 12" Catch Basin Grate - Heel Proof

NOTES:

1. Heelproof: No thru openings greater than 1/4".
2. Ships in pieces: 1
3. Due to casting inconsistencies, all dimensions are nominal.

Made in USA ©2015 Iron Age Designs

 IRON AGE DESIGNS Telephone 206.276.0925 www.ironagegrates.com	Material: Ductile Iron 65-45-12	Weight: 14.19 lbs.	Free Drain Area: 23.41 in/sq., or 17.13 %	By: MS Checked: MS Date: 12-2-22
	Finish: Raw	Edge: 1.125"	Flow Rate: 30.66 GPM, or .068 CuFt./sec.	© Registration: VA 1-970-721 Scale: NTS
	Fits: NDS® 1200 Series	Product ID: VN12-12I12HP	Drawing Name: 01_Bullseye_N_12x12HP_CatchBasin_Iron	