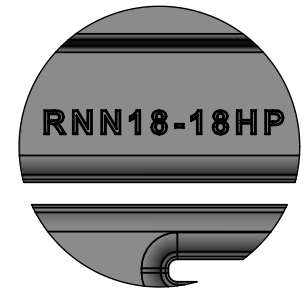
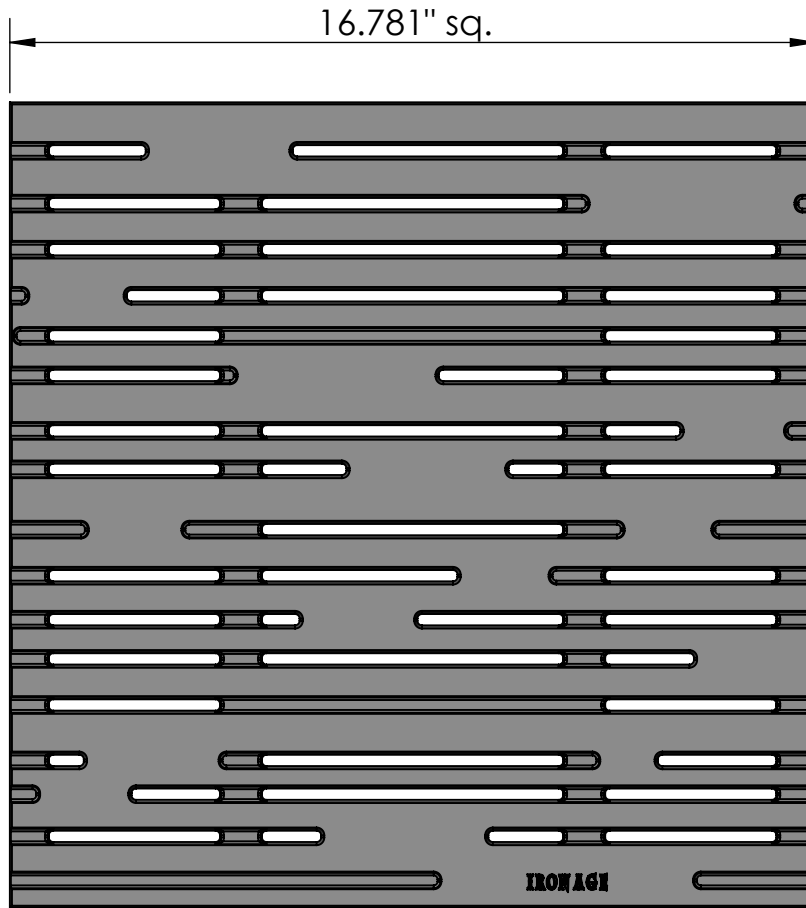
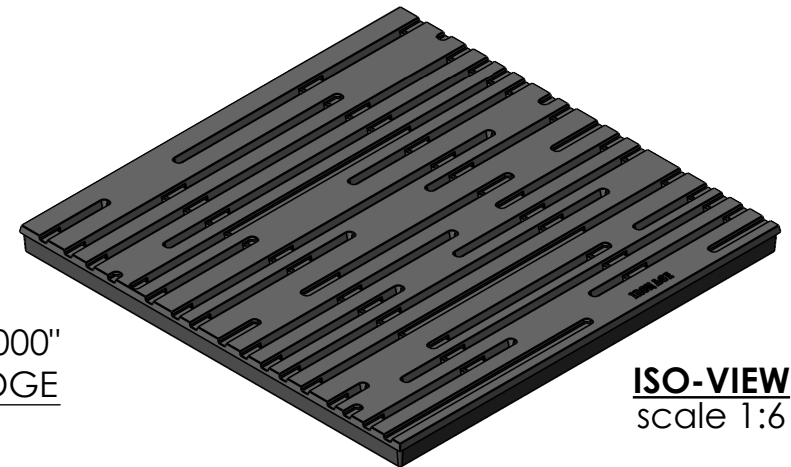
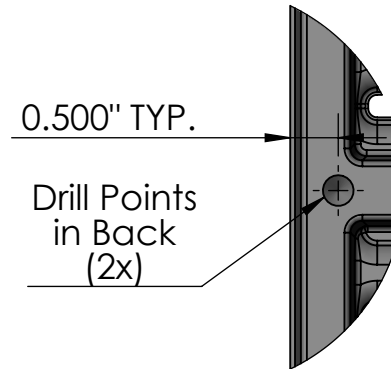


**TOP VIEW**  
scale 1:4

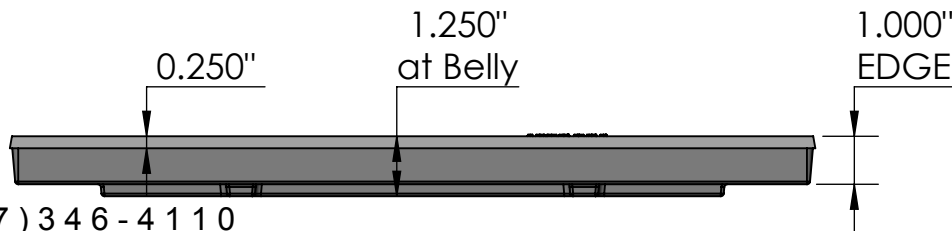


**CASTING-ID**  
scale 1:2



**ISO-VIEW**  
scale 1:6

**SIDE VIEW**  
scale 1:4




**DRAINAGE SOLUTIONS, INC** (317) 346-4110  
www.drainagesolutionsinc.com

**Rain 17" x 17" Catch Basin - Heel Proof**

**NOTES:**

1. Heelproof: No thru openings greater than ¼".
2. Ships in pieces: 1
3. Due to casting inconsistencies, all dimensions are nominal.

Made in USA ©2022 Iron Age Designs

 <b>IRON AGE DESIGNS</b> Telephone 206.276.0925 www.ironagegrates.com	<b>Material:</b> Ductile Iron 65-45-12	<b>Weight:</b> 33.24 lbs.	<b>Free Drain Area:</b> 37.92 in/sq., or 13.46 %	<b>By:</b> MS <b>Checked:</b> MS <b>Date:</b> 6-3-22
	<b>Finish:</b> Raw	<b>Edge:</b> 1.000"	<b>Flow Rate:</b> 49.68 GPM, or .110 CuFt./sec.	<b>© Registration:</b> Pending <b>Scale:</b> NTS
	<b>Fits:</b> NDS® 1800 Series	<b>Product ID:</b> RNN18-1813HP	<b>Drawing Name:</b> 02_Rain_N_18x18HP_CatchBasin	