

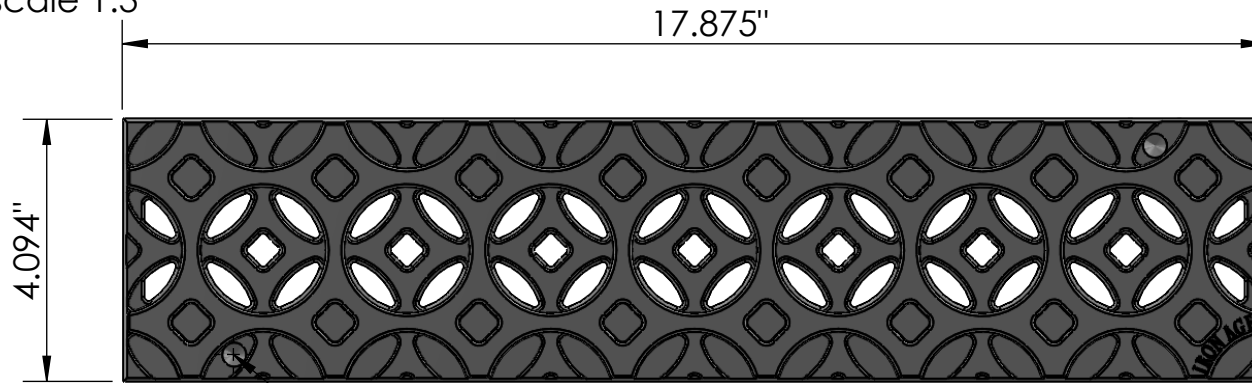
3 ARRAY
scale 1:7



Casting-ID
scale 1:2

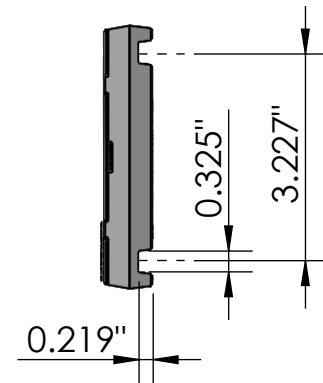


TOP VIEW
scale 1:3

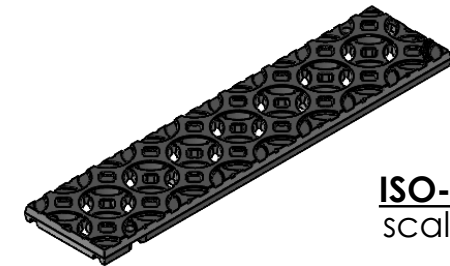


(x2) Drill Point to locate bolt down hole

END VIEW
scale 1:3



SIDE VIEW
scale 1:3



ISO-VIEW
scale 1:7




(317) 346-4110
www.drainagesolutionsinc.com

Interlaken 4"x 18" Trench Grate

NOTES:

1. ADA Compliant: No thru openings greater than 1/2".
2. Ships in pieces: 1
3. Due to casting inconsistencies, all dimensions are nominal.

Made in USA ©2009 Iron Age Designs

 <p>IRON AGE DESIGNS Telephone 206.276.0925 www.ironagegrates.com</p>	Material: Ductile Iron 65-45-12	Weight: 7.7 lbs.	Free Drain Area: 8.0 in/sq., or 11.08 %	By: MS Checked: MS Date: 1/3/23
	Finish: Raw	Edge: .750"	Flow Rate: 10.47 GPM, or .023 CuFt./sec.	© Registration: VA 1-964-357 Scale: NTS
	Fits: NDS™ Speed-D® Channel SOLD SEPARATELY	Product ID: IN4-18102	Drawing Name: 02_INT_N_4x18_TrenchGrate_Iron	