

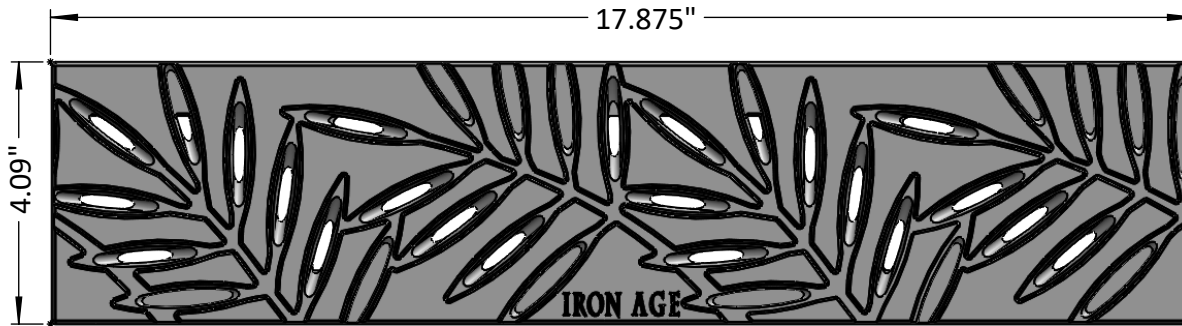
**ARRAY (3X)**

scale 1:7



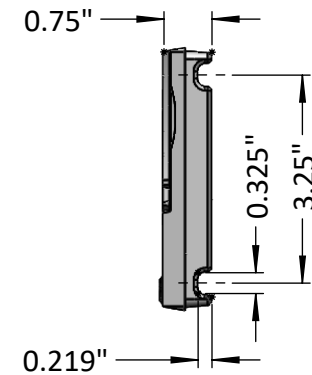
**TOP**

scale 1:3



**END**

scale 1:3



**EDGE**

scale 1:3

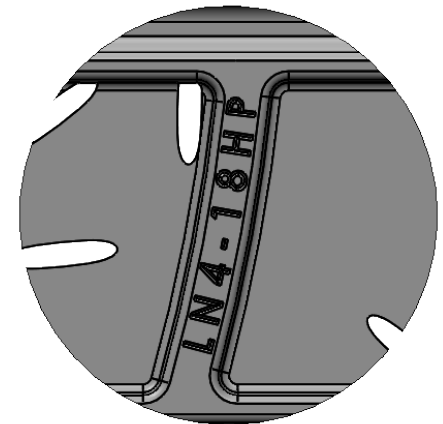
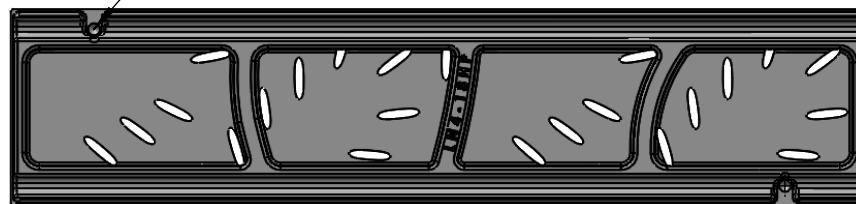


(317) 346-4110

www.drainagesolutionsinc.com

**Bottom**

scale 1:4



**NOTES:**

1. Heel Proof: No thru openings greater than: 1/4"
2. ships in 1 piece
3. Due to casting inconsistencies all dimensions are nominal

Locust 4"x18" Heel Proof Trench Grate

Made in the USA

© 2018 Iron Age Designs



Material: Cast Ductile Iron

Weight: 7.50 lbs.

Free Area 3.06"sq (approx): (4.18%)

By: CD checked by MS

Date: 11/28/18

Standard Raw Finish:

Edge Thickness: 0.75"

Gallon/ Min sq area x FDA (approx): x1.31= 5.48 GPM

Scale: 1:3

Fits: NDS® Spee-D® Channel

Product ID: LN4-18I02HP

© Registration:

Drawing Name: 02\_LOC.N.4x18\_HP

Design Patent: US D563,528S