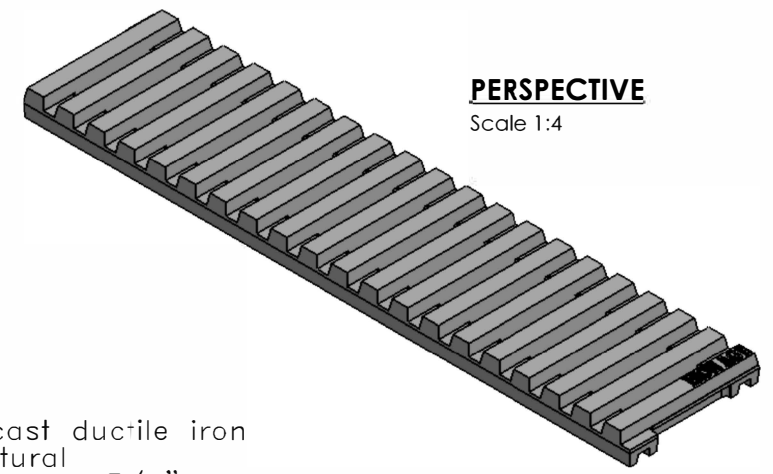
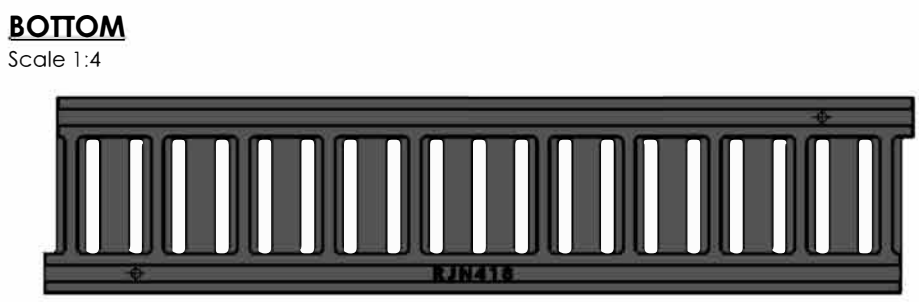


DRAINAGE SOLUTIONS, INC

(317) 346-4110

www.drainagesolutionsinc.com



NOTES:

1. Material: cast ductile iron
2. Finish: Natural
3. Edge thickness: 3/4"
4. Fits drain channel manufactured by: NDS™ Speed-D Channel
5. No openings greater than 1/2"
6. Weight approx. 7 lbs.

 **IRON AGE DESIGNS** 2104 SW 152nd St #4 Burien, WA 98166 TEL 206.276.0925 FAX 206.257.0318 www.ironagedrains.com

Regular Joe 4"x18" Trench Grate

JOB NO. _____ Drawn by: JH
Date: 5/17/16
DWG. NO. 01-JOE.N.4x18 Scale: Not to Scale