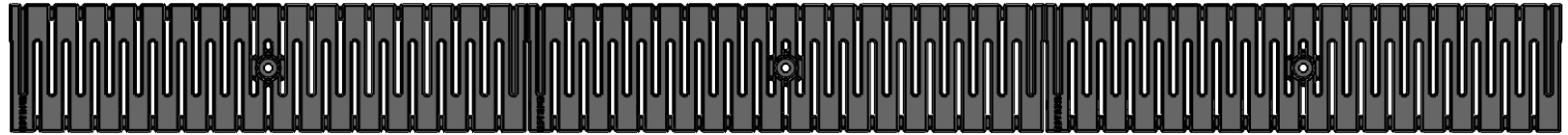
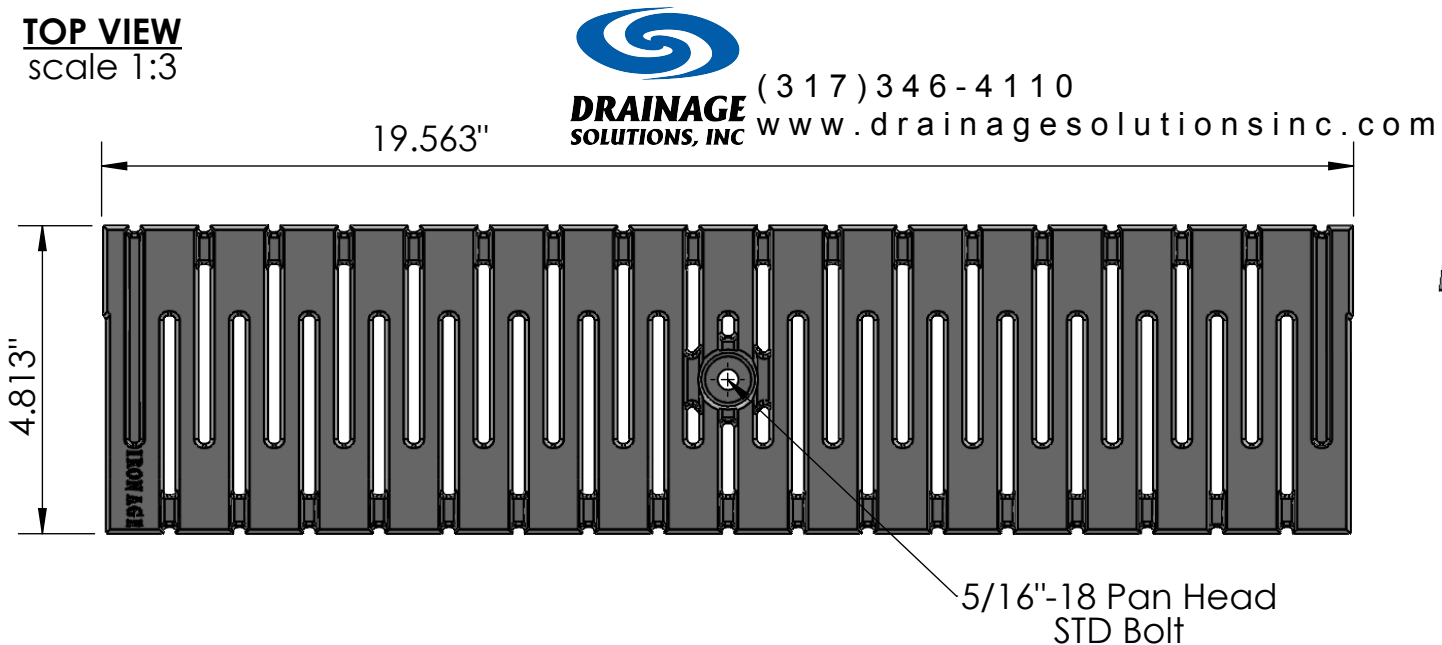


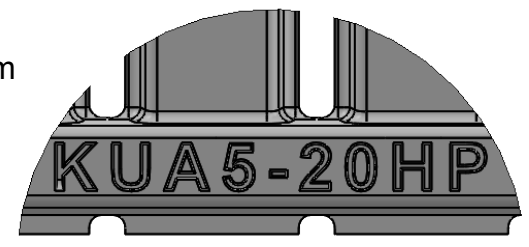
3 ARRAY
scale 1:7



TOP VIEW
scale 1:3

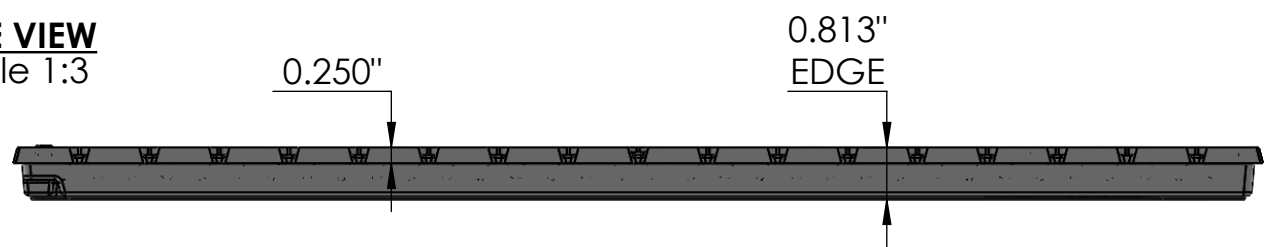


 (317) 346-4110
www.drainagesolutionsinc.com



CASTING-ID
scale 1:1

SIDE VIEW
scale 1:3




ISO-VIEW
scale 1:7

NOTES:

1. ADA Compliant: No thru openings greater than ¼".
2. Ships in pieces: 1
3. Due to casting inconsistencies, all dimensions are nominal.

Made in USA ©2020 Iron Age Designs

Kurf 5"x 20" Trench Grate - Heel Proof

 IRON AGE DESIGNS Telephone 206.276.0925 www.ironagegrates.com	Material: Ductile Iron 65-45-12	Weight: 8.95 lbs.	Free Drain Area: 17.48 in/sq., or 18.56 %	By: MS Checked: MS Date: 5-17-21
	Finish: Raw	Edge: 0.8125"	Flow Rate: 22.90 GPM or 0.051 CuFt./sec.	© Registration: VA 2-246-526 Scale: NTS
	Fits: ABT® Polydrain® ACO™ K100/K100S/KS100, MEA® 1000 Series	Product ID: KUA5-20I21HP	Drawing Name: 01_Kurf_A_5x20HP_TrenchGrate	