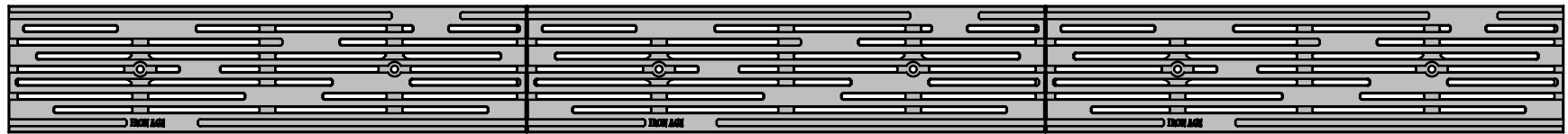
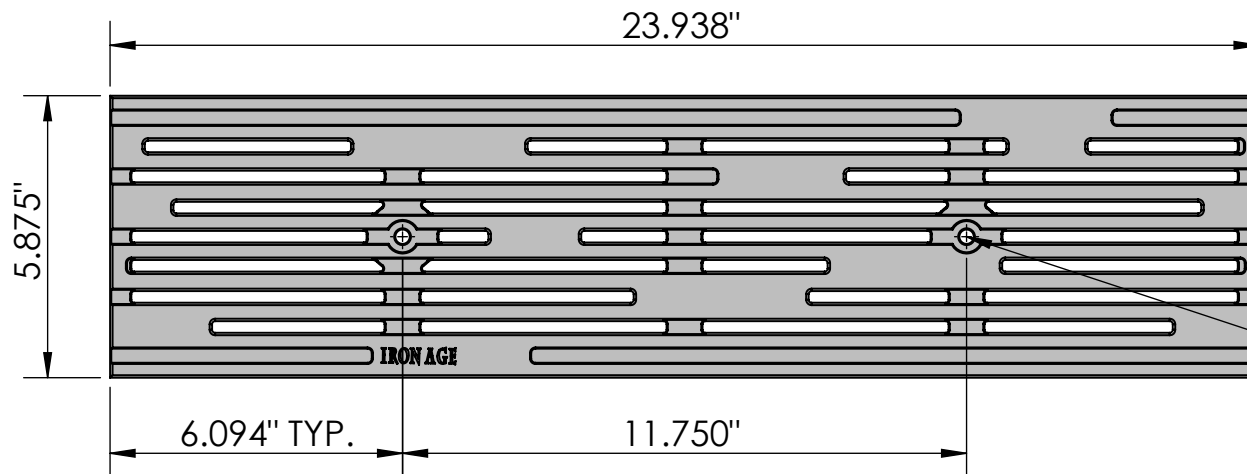


3 ARRAY
scale 1:8



TOP VIEW
scale 1:4

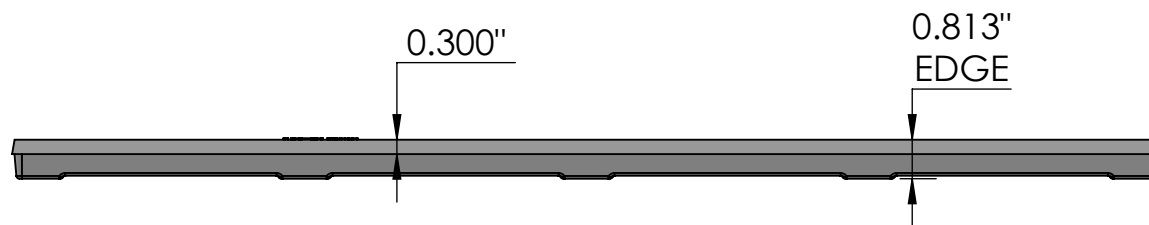


CASTING-ID
scale 1:2



1/4"-20 (2x)
Pan Head
STD-Bolt

SIDE VIEW
scale 1:4



ISO-VIEW
scale 1:8



DRAINAGE SOLUTIONS, INC (317) 346-4110
www.drainagesolutionsinc.com

Rain 6" x 24" Trench Grate - Heel Proof

NOTES:

1. Heelproof: No thru openings greater than 1/4".
2. Ships in pieces: 1
3. Due to casting inconsistencies, all dimensions are nominal.

Made in USA ©2018 Iron Age Designs

IRON AGE DESIGNS
Telephone 206.276.0925
www.ironagegrates.com

Material: Ductile Iron 65-45-12	Weight: 11.13 lbs.	Free Drain Area: 29.49 in/sq.	20.97 %	By: MS	Checked: MS	Date: 5-24-22
Finish: Raw	Edge: .8125"	Flow Rate: 38.63 GPM	.086 CuFt./sec.	© Registration: VA 2-112-777		Scale: NTS
Fits: NDS® Dura Slope®	Product ID: RNN6-24I03HP	Drawing Name: 03_RAI_N_6x24HP_TrenchGrate				