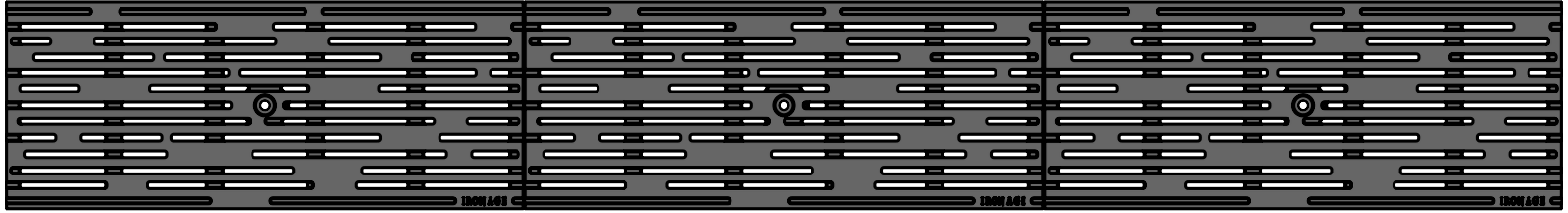
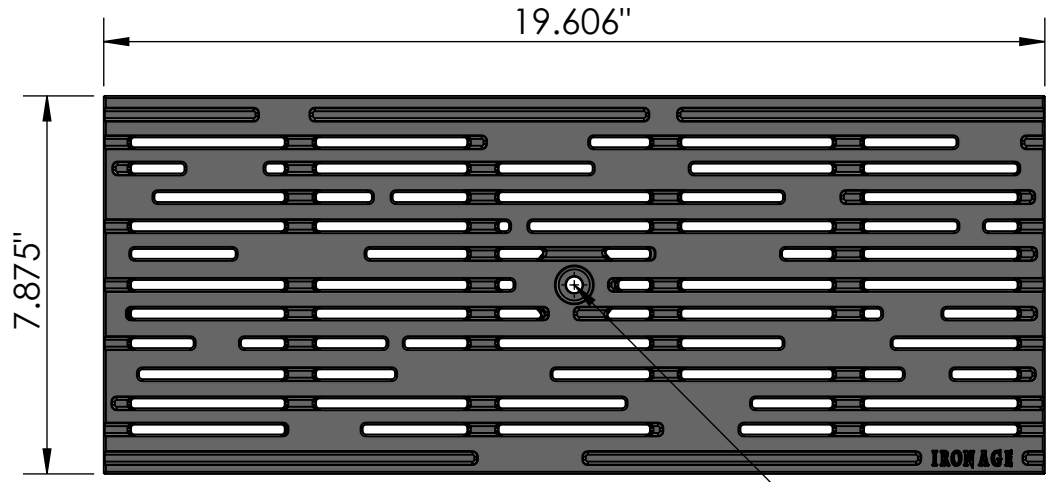


3 ARRAY
scale 1:7



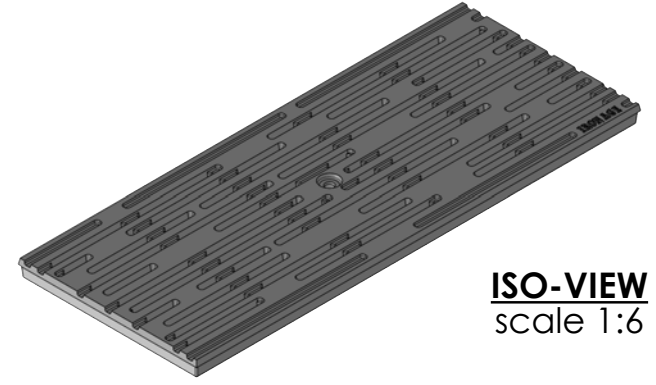
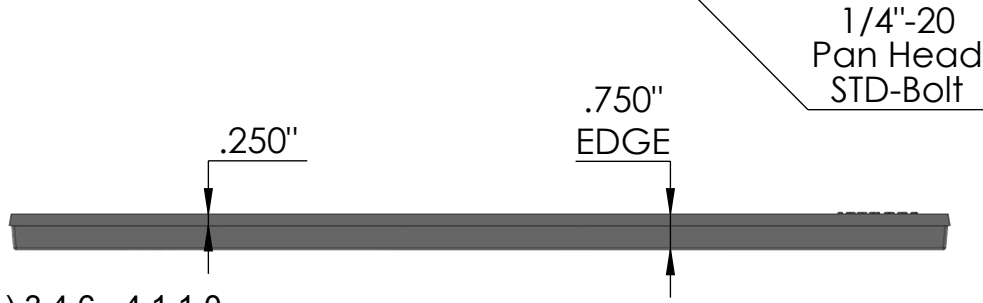
TOP VIEW
scale 1:4



CASTING-ID
scale 1:2



SIDE VIEW
scale 1:4



ISO-VIEW
scale 1:6




DRAINAGE SOLUTIONS, INC (317) 346-4110
www.drainagesolutionsinc.com

Rain 8" x 20" Trench Grate Heel Proof

NOTES:

1. Heelproof: No thru openings greater than 1/4".
2. Ships in pieces: 1
3. Due to casting inconsistencies, all dimensions are nominal.

Made in USA ©2020 Iron Age Designs

 IRON AGE DESIGNS Telephone 206.276.0925 www.ironagegrates.com	Material: Cast Ductile 65-45-12	Weight: 15.66 lbs.	Free Drain Area: 28.98 in/sq., or 18.77 %	By: MS Checked: MS Date: 1-10-23
	Finish: Raw	Edge: 0.750"	Flow Rate: 37.96 GPM, or .084 CuFt./sec.	© Registration: VA 2-330-016 Scale: NTS
	Fits: NDS® 8" Pro Series	Product ID: RNN8-20I04HP	Drawing Name: 01_RAI_N_8x20HP_TrenchGrate_Iron	