

2400-SERIES

Simplex Grinder Package

Liberty Pumps®

A Family and Employee Owned Company



(317)346-4110

DRAINAGE SOLUTIONS, INC. www.drainagesolutionsinc.com

Factory Assembled 2 hp Grinder Pumps 24" Diameter System

Features

- Pre-mounted float switches for pump control and alarm
- 4" Fiberglass hub with 4" rubber pipe seal
- 1-1/4" Discharge
- Factory pre-assembled guide rail system
- Integral check valve
- Galvanized guide rail pipe (stainless optional)
- Factory pre-assembled Schedule 80 PVC discharge piping with ball valve
- Fiberglass basin with anti-flotation collar
- Structural foam cover - 1000 lb. load rating (steel optional)
- All stainless-steel supports and brackets pre-mounted
- NEMA 4X junction box for electrical connections, pre-mounted
- Stainless-steel chain for pump lift-out

*Other custom basin sizes available, consult factory



Available with
LSG or LSGX-Series



innovate. evolve.

2400-Series

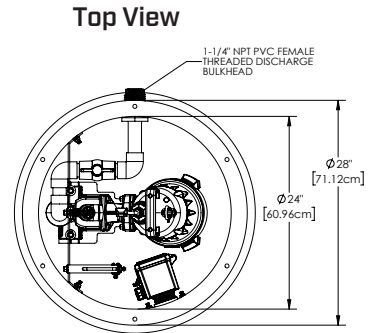
Features

- 2 hp Grinder Pump
- Choose from LSG or LSGX-Series pumps
- Available in a wide range of voltages
- 1-1/4" Discharge
- 25' Power cable length

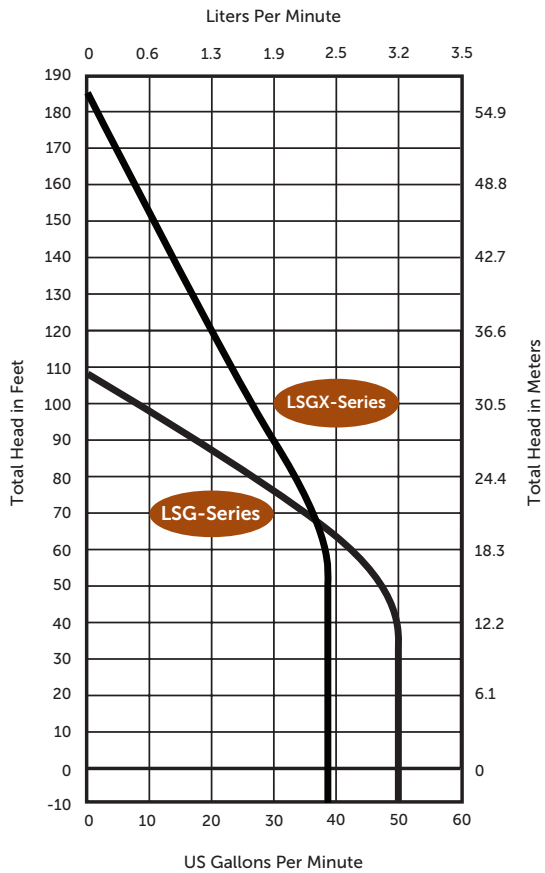


(See LSG or LSGX-Series literature for complete pump specifications.)

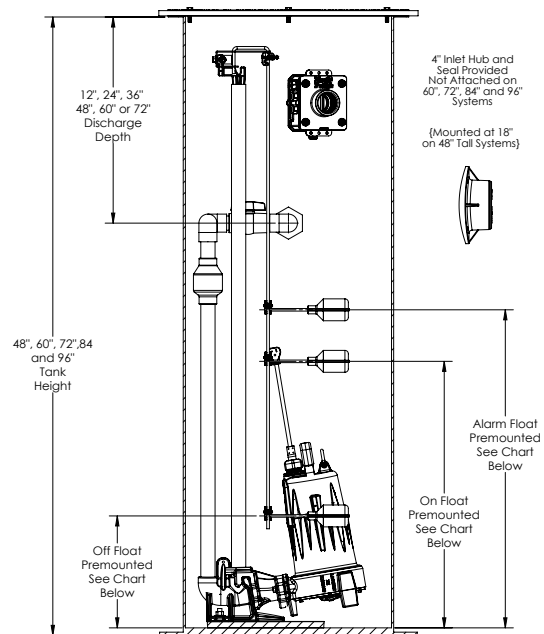
Dimensional Data



Performance Curve



Side View



Float levels are adjustable per included instructions

Galvanized guide rails standard.

For stainless-steel rails add "S" to model number.

Example: 2472LSG24-S

For steel cover option add "-SC" suffix to model number.

Example: 2472LSG24-SC

Factory Set Control Levels

MODEL	OFF LEVEL	ON LEVEL	ALARM LEVEL	VOLUME PER PUMP CYCLE	TOTAL BASIN CAPACITY
2448	9.5" (24 cm)	16.5" (42 cm)	21" (53 cm)	13.5 gal (51 liters)	94 gal (356 liters)
2460	13" (33 cm)	27" (69 cm)	33" (84 cm)	27 gal (102 liters)	118 gal (447 liters)
2472	13" (33 cm)	31" (79 cm)	37" (94 cm)	35 gal (132 liters)	141 gal (534 liters)
2484	13" (33 cm)	33" (84 cm)	39" (99 cm)	39 gal (148 liters)	165 gal (625 liters)
2496	13" (33 cm)	37" (94 cm)	43" (109 cm)	47 gal (178 liters)	188 gal (712 liters)

Choice of Panel... SX-Series or IP-Series

Systems with heights of 60", 72", 84" or 96" include an SX-Series or IP-Series panel



SXH24=3
Control panel
with alarm



SX-Series Panels - (Standard)

Provide reliable alternating operation.

Features

- HOA Switch
- NEMA 4X enclosure
- Circuit Breaker
- Visual and Audible alarm
- Pump run indicator lights
- Auxiliary contacts
- Three level control float switches

For the complete SX-Series specifications, see SX-Series literature sheet.

IP-Series Panels - (Optional)

IP-Series control panels incorporate the latest programmable pump features through a simple, easy-to-use touchpad on the inner door. Now pump programming and system monitoring is easier than ever.

Features

- NEMA 4X weatherproof enclosure for indoor or outdoor mounting
- Floatless level sensor is compact and eliminates multiple wide-angle float switches for controlling pump
- Redundant "ALARM" float switch included for added security
- Easy-to-use touchpad for programming pump on/off levels and alarm level in inches or centimeters
- Inner panel door provides increased safety
- Separate control and alarm fuses
- Digital display board for system monitoring
- Alarm beacon and horn provide audio/visual warning of alarm condition
- Test/Normal/Silence switch
- Auxiliary contacts
- Panel is field convertible for either demand dose or timed dose applications

For the complete IP-Series specifications, see IP-Series literature sheet.

NOTE: To order the IP-Series panel option, add "-IP" suffix to the system model number. Example: 2472LSG204-IP



Floatless
Level Sensor

2400-Series

24" Diameter fiberglass basin available in heights of 48", 60", 72", 84", and 96".

Systems listed below with heights of 60", 72", 84" or 96" are shipped with a standard SX-Series control panel. To upgrade to an IP-Series panel add "-IP" suffix to the model number. Example: 2472LSG202-24-IP See SX-Series or IP-Series literature for complete specifications.

MODEL	VOLTS	PHASE	WEIGHT	STANDARD PANEL SX-SERIES	OPTIONAL PANEL IP-SERIES
2448 – 24" x 48" Basin (Discharge depth is 12" from top of basin)					
2448LSG202	208/230	1	220 lbs	ALM-2W	N/A
2448LSG202-S	208/230	1	220 lbs	ALM-2W	N/A
2448LSG202-S-SC	208/230	1	230 lbs	ALM-2W	N/A
2448LSG202-SC	208/230	1	226 lbs	ALM-2W	N/A
2448LSGX202	208–230	1	229 lbs	ALM-2W	N/A
2448LSGX202-S	208–230	1	229 lbs	ALM-2W	N/A
2448LSGX202-S-SC	208–230	1	239 lbs	ALM-2W	N/A
2448LSGX202-SC	208–230	1	239 lbs	ALM-2W	N/A
2460 – 24" x 60" Basin (Discharge depth is 24" or 36" from top of basin. Add -24 or -36 to model when ordering.)					
2460LSG202 (-24 or -36)	208/230	1	230 lbs	SXH24=3	IPS-24H
2460LSG202-A (-24 or -36)	208/230	1	231 lbs	ALM-2W	N/A
2460LSG202-C (-24 or -36)	208/230	1	231 lbs	SXHC24=3-3	IPS-24HC
2460LSG203 (-24 or -36)	208/230	3	235 lbs	SX34=3-511	IPS-34-511
2460LSG204 (-24 or -36)	440–480	3	235 lbs	SX34=3-171	IPS-34-171
2460LSG205 (-24 or -36)	575	3	235 lbs	SX54=3-161	IPS-54-161
2460LSGX202 (-24 or -36)	208–230	1	236 lbs	SXH24=3	IPS-24H
2460LSGX202-C (-24 or -36)	208–230	1	247 lbs	SXHC24=3-3	IPS-24HC
2460LSGX203 (-24 or -36)	208/230	3	242 lbs	SX34=3-511	IPS-34-511
2460LSGX204 (-24 or -36)	440–480	3	242 lbs	SX34=3-171	IPS-34-171
2460LSGX205 (-24 or -36)	575	3	242 lbs	SX54=3-161	IPS-54-161
2472 – 24" x 72" Basin (Discharge depth is 24", 36" or 48" from top of basin. Add -24, -36 or -48 to model when ordering.)					
2472LSG202 (-24, -36 or -48)	208/230	1	237 lbs	SXH24=3	IPS-24H
2472LSG202-C (-24, -36 or -48)	208/230	1	238 lbs	SXHC24=3-3	IPS-24HC
2472LSG203 (-24, -36 or -48)	208/230	3	242 lbs	SX34=3-511	IPS-34-511
2472LSG204 (-24, -36 or -48)	440–480	3	242 lbs	SX34=3-171	IPS-34-171
2472LSG205 (-24, -36 or -48)	575	3	242 lbs	SX54=3-161	IPS-54-161
2472LSGX202 (-24, -36 or -48)	208–230	1	243 lbs	SXH24=3	IPS-24H
2472LSGX202-C (-24, -36 or -48)	208–230	1	244 lbs	SXHC24=3-3	IPS-24HC
2472LSGX203 (-24, -36 or -48)	208/230	3	249 lbs	SX34=3-511	IPS-34-511
2472LSGX204 (-24, -36 or -48)	440–480	3	249 lbs	SX34=3-171	IPS-34-171
2472LSGX205 (-24, -36 or -48)	575	3	249 lbs	SX54=3-161	IPS-54-161
2484 – 24" x 84" Basin (Discharge depth is 24", 36", 48" or 60" from top of basin. Add -24, -36, -48 or -60 to model when ordering.)					
2484LSG202 (-24, -36, -48 or -60)	208/230	1	258 lbs	SXH24=3	IPS-24H
2484LSG202-C (-24, -36, -48 or -60)	208/230	1	265 lbs	SXHC24=3-3	IPS-24HC
2484LSG203 (-24, -36, -48 or -60)	208/230	3	269 lbs	SX34=3-511	IPS-34-511
2484LSG204 (-24, -36, -48 or -60)	440–480	3	269 lbs	SX34=3-171	IPS-34-171
2484LSG205 (-24, -36, -48 or -60)	575	3	269 lbs	SX54=3-161	IPS-54-161
2484LSGX202 (-24, -36, -48 or -60)	208–230	1	264 lbs	SXH24=3	IPS-24H
2484LSGX202-C (-24, -36, -48 or -60)	208–230	1	265 lbs	SXHC24=3-3	IPS-24HC
2484LSGX203 (-24, -36, -48 or -60)	208/230	3	270 lbs	SX34=3-511	IPS-34-511
2484LSGX204 (-24, -36, -48 or -60)	440–480	3	270 lbs	SX34=3-171	IPS-34-171
2484LSGX205 (-24, -36, -48 or -60)	575	3	270 lbs	SX54=3-161	IPS-54-161
2496 – 24" x 96" Basin (Discharge depth is 24", 36", 48", 60" or 72" from top of basin. Add -24, -36, -48, -60 or -72 to model when ordering.)					
2496LSG202 (-24, -36, -48, -60 or -72)	208/230	1	267 lbs	SXH24=3	IPS-24H
2496LSG202-C (-24, -36, -48, -60 or -72)	208/230	1	274 lbs	SXHC24=3-3	IPS-24HC
2496LSG203 (-24, -36, -48, -60 or -72)	208/230	3	278 lbs	SX34=3-511	IPS-34-511
2496LSG204 (-24, -36, -48, -60 or -72)	440–480	3	278 lbs	SX34=3-171	IPS-34-171
2496LSG205 (-24, -36, -48, -60 or -72)	575	3	278 lbs	SX54=3-161	IPS-54-161
2496LSGX202 (-24, -36, -48, -60 or -72)	208–230	1	273 lbs	SXH24=3	IPS-24H
2496LSGX202-C (-24, -36, -48, -60 or -72)	208–230	1	275 lbs	SXHC24=3-3	IPS-24HC
2496LSGX203 (-24, -36, -48, -60 or -72)	208/230	3	279 lbs	SX34=3-511	IPS-34-511
2496LSGX204 (-24, -36, -48, -60 or -72)	440–480	3	279 lbs	SX34=3-171	IPS-34-171
2496LSGX205 (-24, -36, -48, -60 or -72)	575	3	279 lbs	SX54=3-161	IPS-54-161

Specifications subject to change without notice.

Copyright © Liberty Pumps, Inc. 2020 All rights reserved. LLIT006700-R10/20

Liberty Pumps - 7000 Apple Tree Avenue - Bergen, New York 14416
Phone 800-543-2550 - Fax 585-494-1839 - www.LibertyPumps.com