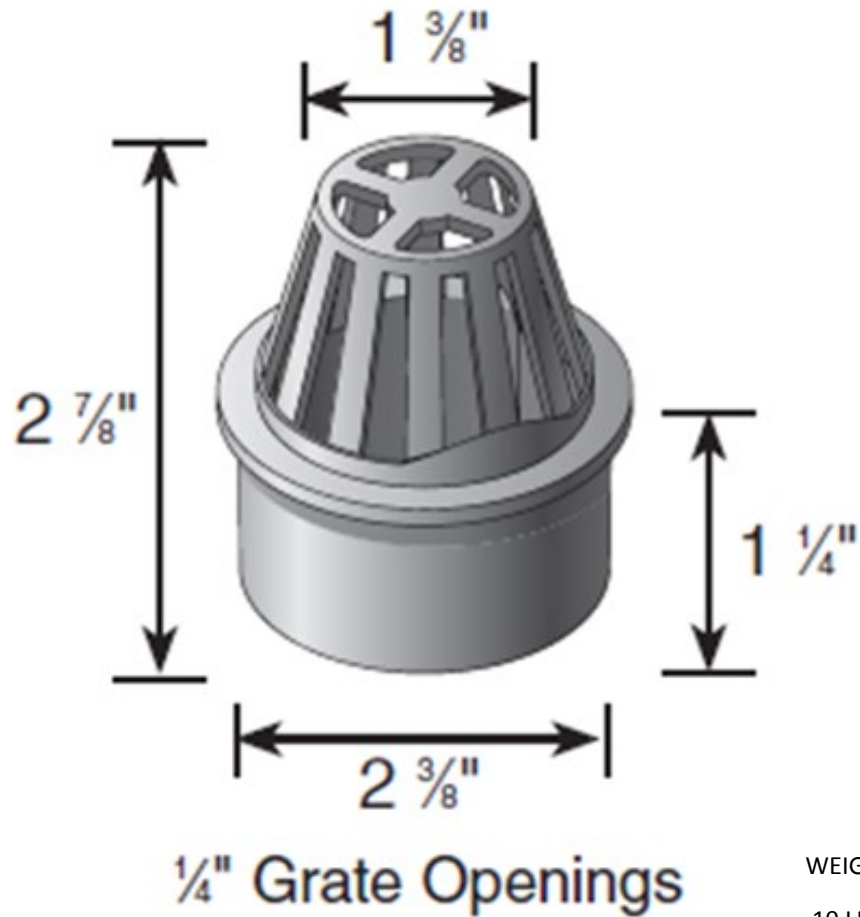


2" ATRIUM GRATE



WEIGHT per EACH:
.10 LBS

Material: PVC
Colors: Gray (270)
Fits: Use with 2" Schedule 40 fittings
Opening: 4 in² open space
Will accommodate 12.24 gallons per minute with 1/2" of head



**DRAINAGE
SOLUTIONS, INC**

(317) 346-4110

www.drainagesolutionsinc.com

