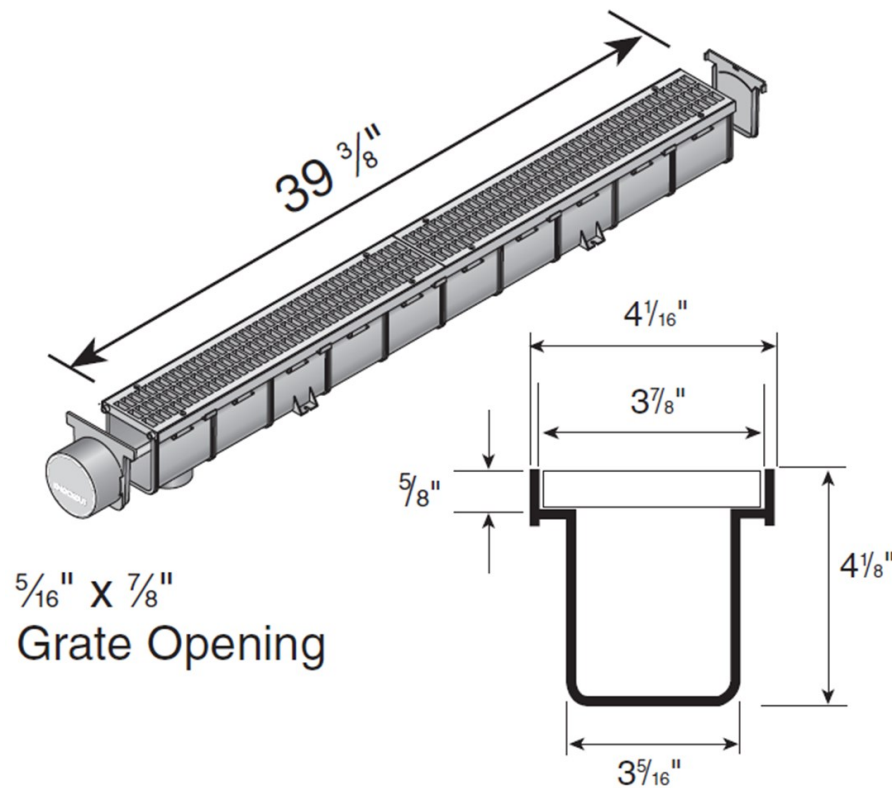


3" Pro Series Channel Drain Kit



Part #: 764 (3" x 1 Meter light Traffic Drain Kit)
 Material: Channel PVC, Grate PVC , Cap/End Outlet PVC and End Cap PVC
 Color: Light Gray (Grate)
 Fits: End Outlet fits 3" Sewer/Drain Fitting
 Grate Opening: $\frac{5}{16}$ " X $\frac{7}{8}$ "
 Open Surface Area: 23.63 Sq. Inches Per Foot.
 Head Pressure / Flow rate:
 1" = 102.23 GPM per Foot
 0.5" = 72.29 GPM per Foot
 Weight Per Each: 4.61 lbs.
 UV inhibitor



Class B

- Loads of 61-175 psi.
- Recommended for medium-duty pneumatic tire traffic, autos and light trucks at speeds less than 20 m.p.h.

ADA Compliant