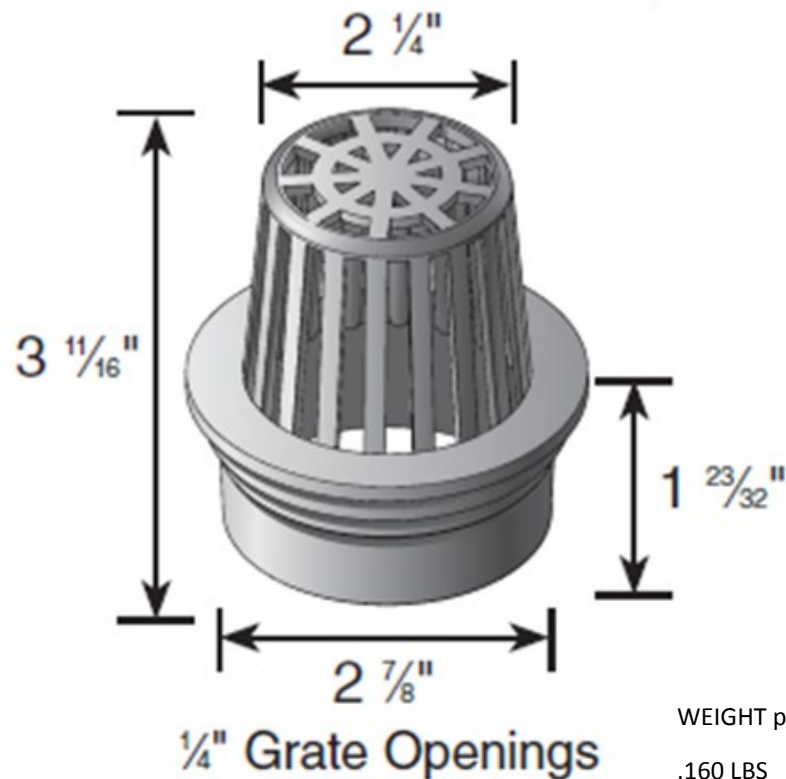


## 3" ATRIUM GRATE



Material: HDPE

Color: Green (70), Gray (72), Black (74), Sand (74S)

Fits: Use with 3" Sewer and Drain pipe and fittings, 3" Corrugated pipe and 3" Triple Wall pipe.

Opening: 9.40 in<sup>2</sup> open space

Will accommodate 28.76 gallons per minute with 1/2" of head



**DRAINAGE  
SOLUTIONS, INC**

(317) 346-4110

[www.drainagesolutionsinc.com](http://www.drainagesolutionsinc.com)

