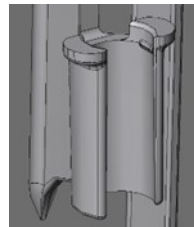
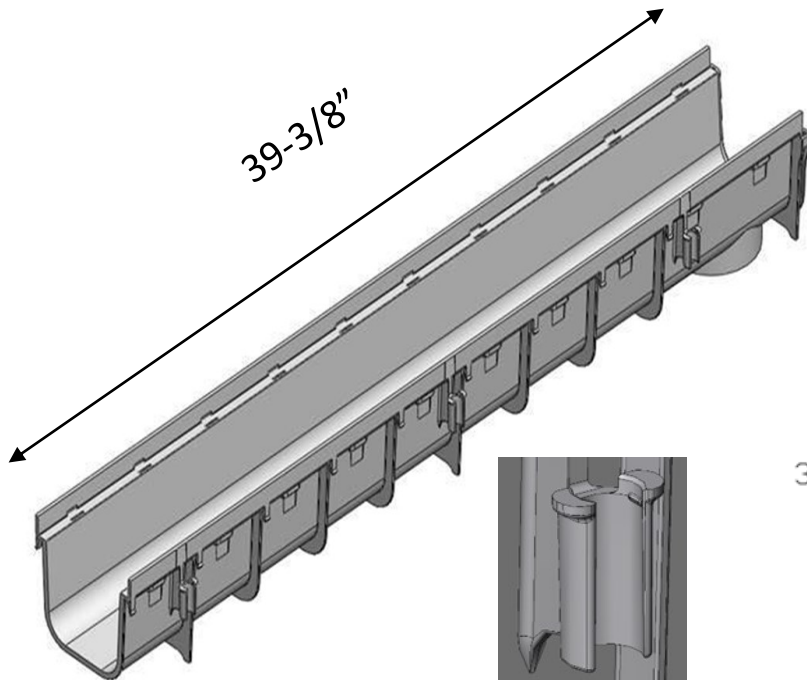
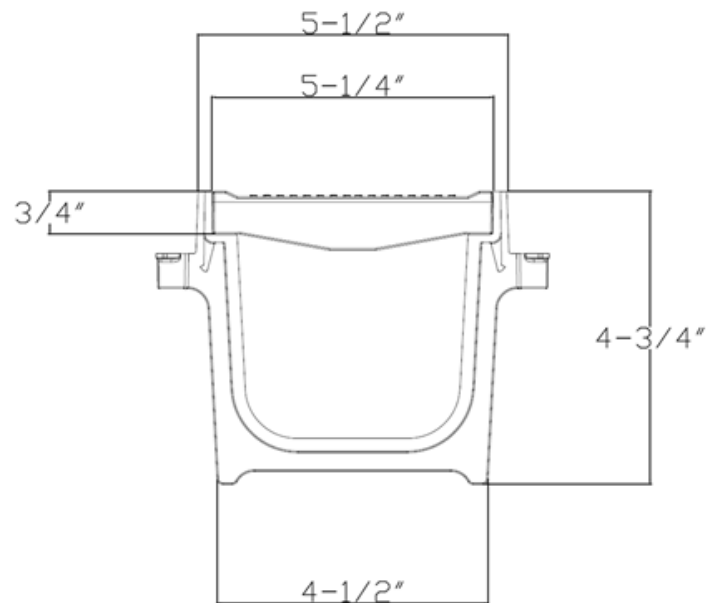


5" x 1 Meter Deep Profile Channel Drain



Detail of rebar



Part #: 800
 Material: Polyolefin
 Color: Light Gray
 Mechanical Interlocking Joints
 Use with 5" Pro Series Grates (2 grates per channel), Cap (#812) and Outlet (#811 & #813)
 Fits: Bottom knock out fits 3" or 4" sewer, drain fitting.
 End Outlet fits 3" pipe (Hub) and 4" pipe (Spigot)
 Rebar tie clips for easier installation: Fits #4 Rebar
 Weight Per Each: 3.0 lbs. per each.
 UV inhibitor



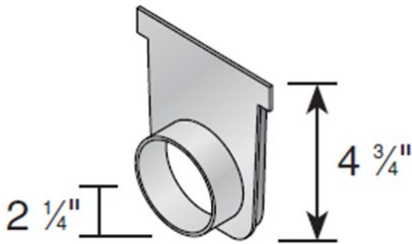
**DRAINAGE
SOLUTIONS, INC**

(3 1 7) 3 4 6 - 4 1 1 0

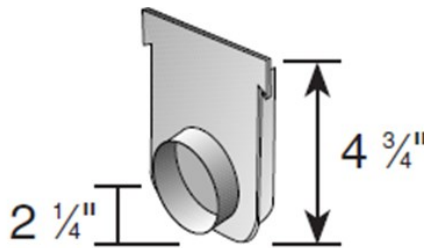
www.drainagesolutionsinc.com



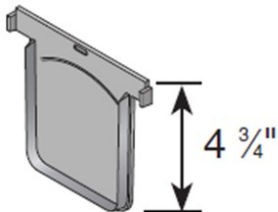
5" x 1 Meter Deep Profile Channel Accessories



Part No.	Description	Color	Pkg. Qty.	Wt. Ea. (lbs.)	Product Class	Specifications
811	5" Deep Profile 3" S&D Pipe Hub & 4" S&D Fitting SPT End Outlet	Light Gray	10	0.40	25IN	NDS #811, 5" Wide Deep Profile high impact PVC End Outlet.

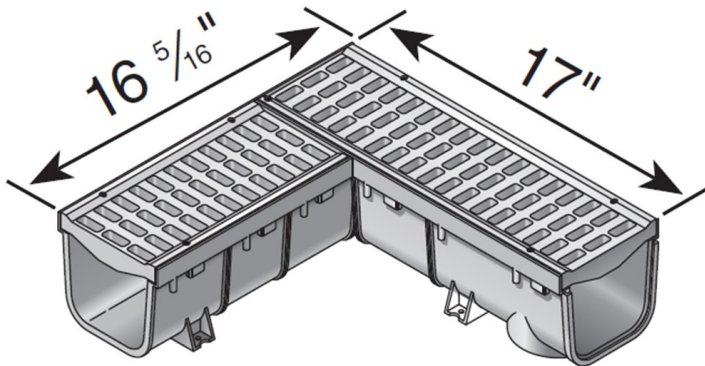


Part No.	Description	Color	Qty.	(lbs.)	Class	Specifications
813	5" Deep Profile End Cap/3" S&D Hub & 4" S&D SPT Knock Out End Outlet	Light Gray	10	0.40	25IN	NDS #813, 5" Wide Deep Profile high impact PVC End Cap/End Outlet.



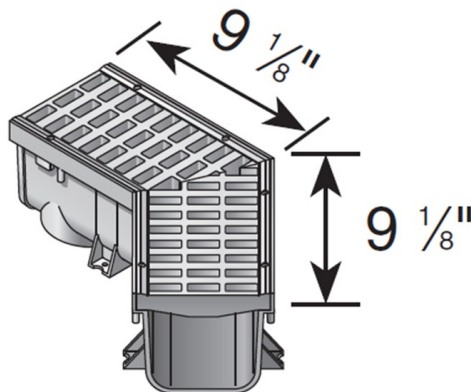
Part No.	Description	Color	Pkg. Qty.	Wt. Ea. (lbs.)	Product Class	Specifications
812	5" Deep Profile End Cap	Light Gray	10	0.20	25IN	NDS #812, 5" Wide Deep Profile high impact PVC End Cap.

5" x 1 Meter Deep Profile Channel 90 & 45 Degree Elbow



Part No.

861



Part No.

862

Part #: 861, #862

Grate Material: HDPE (High Density Polyethylene)

Color: #814(Light Gray)

Fits: 5" Pro Series Channel, Part# 800

Grate Opening: 3/8" x 1-1/4"

Open Surface Area: 23.52 Sq. Inch per Ft.

Head Pressure / Flow Rate:

Head (inches) - Max Flow

1" = 101.75 GPM

0.5" = 71.95 GPM

Part# 861 Weight per each: 3.44 lbs.

Part# 862 Weight per each: 3.44 lbs.

UV Inhibitors



Class B

- Loads of 61-175 psi.
- Recommended for medium-duty pneumatic tire traffic, autos and light trucks at speeds less than 20 m.p.h.

ADA Compliant

