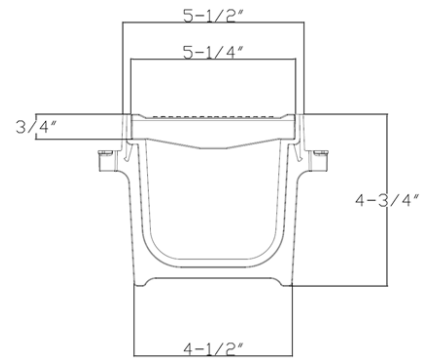
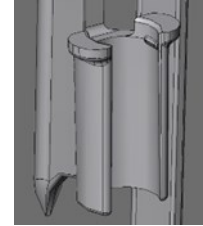


## 5 Inch Pro Series Drain Kit



NDS #864  
Polypropylene



Part #: 864 (Includes #814-Grates ( 2qty. ), #800-Channel (1qty.), #813-End Outlet (1qty.), and #812-End Cap (1qty.)

Material: Channel (Polyolefin) Grates (HDPE)

Color: Light Gray

Fits: 3" (Hub) and 4" (Spigot) Sewer/Drain Pipe

Rebar tie clips for easier installation: Fits #4 Rebar

Grate Opening: 3/8" x 1-1/4"

Open Surface Area: 23.52 Sq. Inch per Ft.

Head Pressure / Flow Rate:

Head (inches) - Max Flow

1" = 101.75 GPM

0.5" = 71.95 GPM

Weight per each: 5.67 lbs.

Screw: #829 Stainless Steel Screw, 4 per grate.

UV Inhibitors



### Class B

- Loads of 61-175 psi.
- Recommended for medium-duty pneumatic tire traffic, autos and light trucks at speeds less than 20 m.p.h.

## ADA Compliant