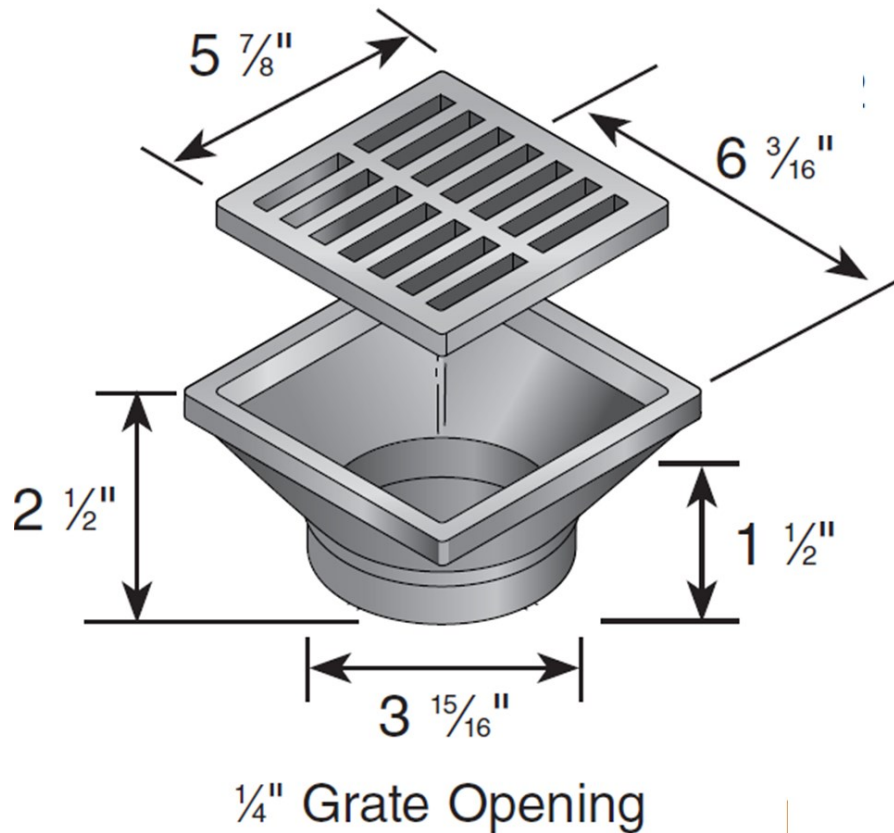


6" x 6" x 4" Square Grate & Adapter



Part #: 640, 641, & 642
 Material: Grate (HDPE) High Density Polypropylene
 Adapter (HIPS) High Impact Polystyrene
 Color: #640(Black), #641(Green), & #642(Gray)
 Fits: 3" & 4" sewer and drain pipe & fittings, 3" & 4"
 corrugated and triple wall pipe.
 Grate Opening: 1/4"
 Open Surface Area: 12.61 Sq. Inches
 Head Pressure / Flow Rate:
Head (inches) - Max Flow
 1" = 54.55 GPM
 0.5" = 38.58 GPM
 Weight Per Each: 0.83 lbs.
 UV inhibitor

Load Recommendation Guide



Class A

- Loads of 1-60 psi.
- Recommended for pedestrians, bicycles and wheel chair traffic.

ADA Compliant/Heel-proof



DRAINAGE
SOLUTIONS, INC

(3 1 7) 3 4 6 - 4 1 1 0

www.drainagesolutionsinc.com

