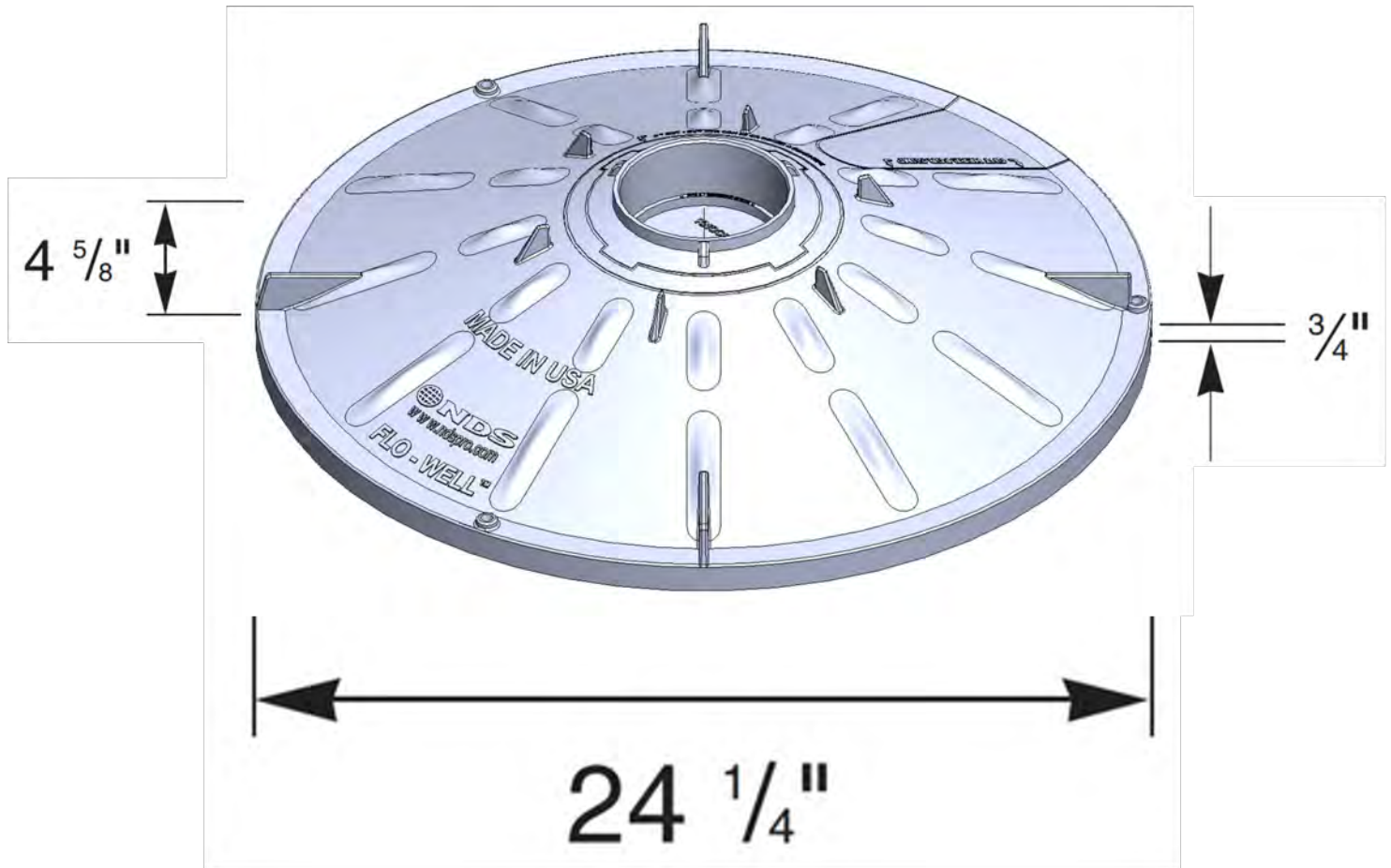


## FLO-WELL<sup>®</sup> COVER



Part #: FWAS24C

Material: UV Protected High Density Polypropylene (HDPE)

Colors: Black

Weight: 5.92 lbs each

Fits: 4" SCH-40 and DWV pipe

Use with FSAS24



**DRAINAGE  
SOLUTIONS, INC**

(317) 346-4110

[www.drainagesolutionsinc.com](http://www.drainagesolutionsinc.com)

