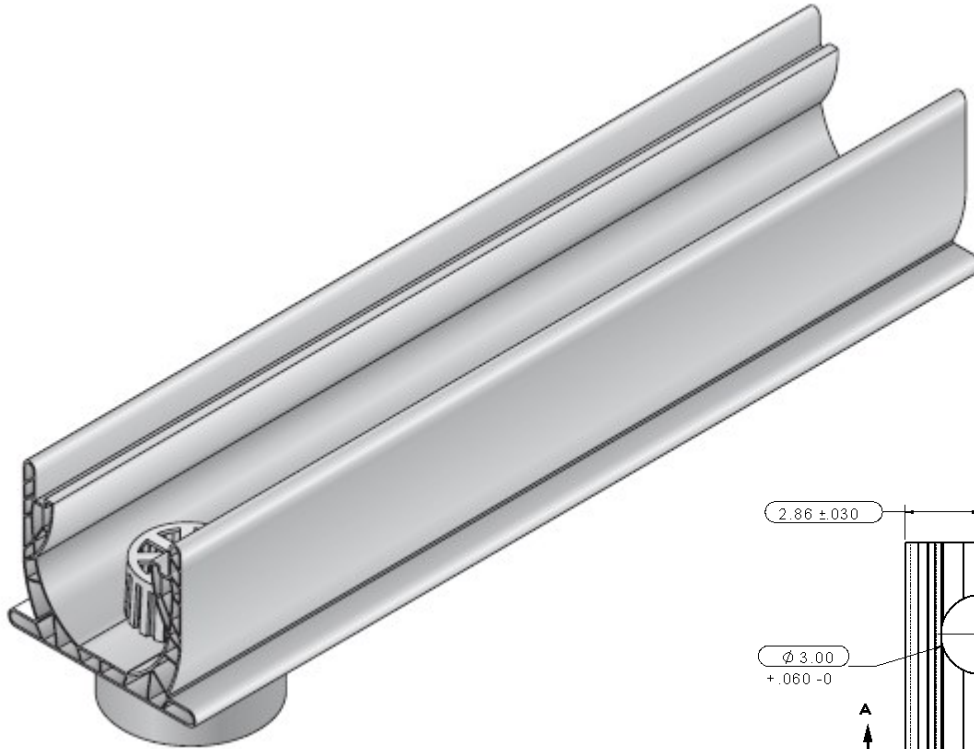
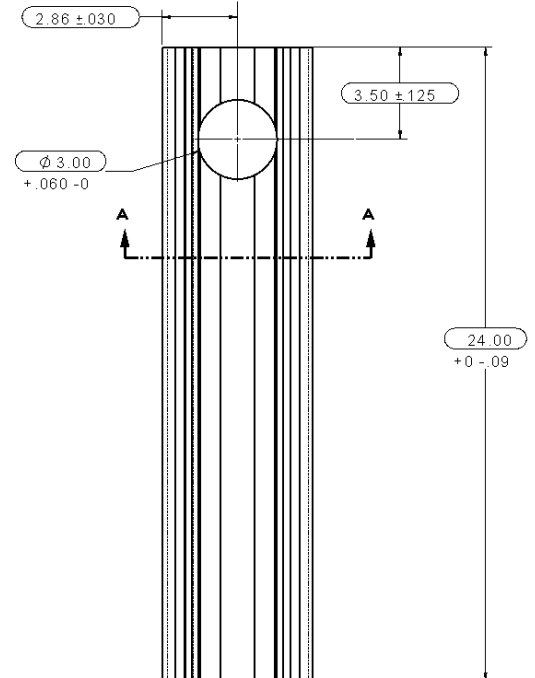


## 2' SPEE-D CHANNEL WITH BTM OUTLET



Part #: 234  
 Material: PVC  
 Color: # Gray  
 Fits: 2" Sch. 40 pipe, 3" and 4" sewer and drain pipe  
 UV Inhibitors.



(317) 346-4110

**DRAINAGE SOLUTIONS, INC.** [www.drainagesolutionsinc.com](http://www.drainagesolutionsinc.com)