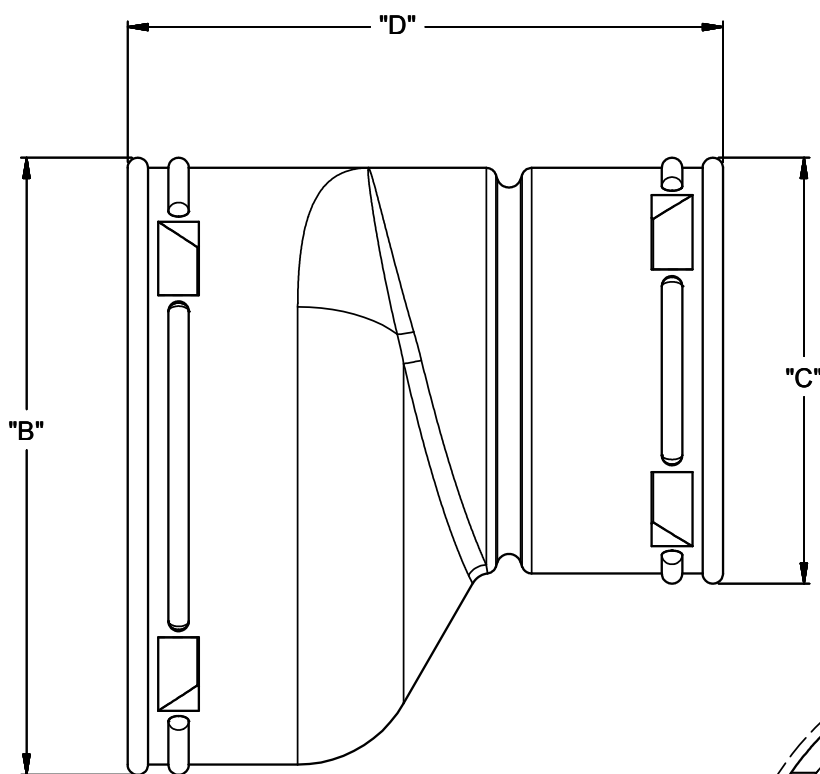


REDUCER COUPLING - OFFSET

TECHNICAL INFORMATION

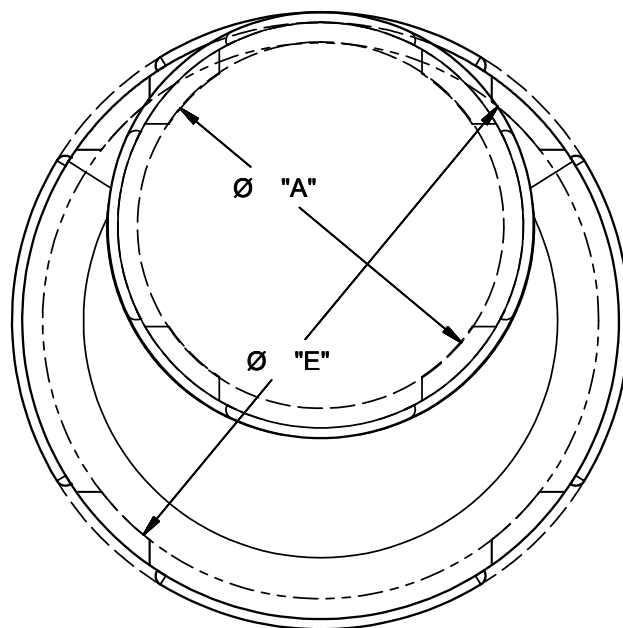
Part #	Size	Desc.	A	B	C	D	E
C-1043	4x3"	HxH	3.425	5.07	4.165	5.1	4.46
C-1064	6x4"	HxH	4.355	7.575	5.2	7.425	6.69



**DRAINAGE
SOLUTIONS, INC**

(317) 346-4110

www.drainagesolutionsinc.com



www.normandyproducts.com

T: 800.322.9463 | F: 800.910.0134

324 Delaware Avenue | PO Box 446 | Oakmont PA 15139