

REDUCER COUPLING

TECHNICAL INFORMATION



(317) 346-4110

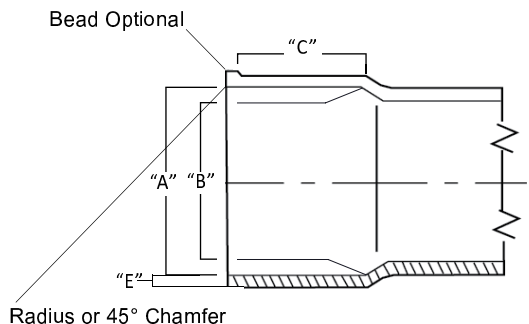
DRAINAGE SOLUTIONS, INC www.drainagesolutionsinc.com

Fittings Socket Dimensions - Inches

Nominal Size	A	B	C
3"	3.271±0.008	3.245±0.008	1.50
4"	4.235±0.009	4.210±0.009	1.75
6"	6.305±0.011	6.270±0.011	3.000

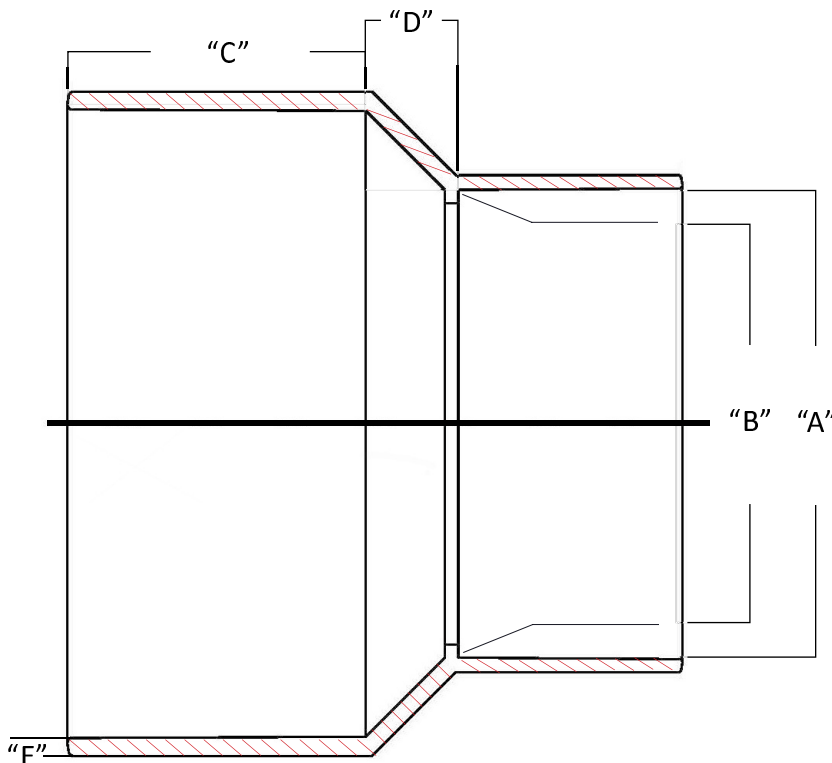
Pipe Dimensions Minimum Wall Thickness

Outside Diameter		SDR 35	
Nominal Size	Average	Tolerance on Average	E
3"	3.250	±0.008	0.100
4"	4.215	±0.009	0.120
6"	6.275	±0.011	0.180



Reducer Coupling Sewer Hub x Sewer Hub

Part #	Size	Desc.	D
V-1043	4x3"	H x H	0.250
V-1064	6x4"	H x H	0.187



Normandy Products are proudly
made in the USA.

www.normandyproducts.com

T: 800.322.9463 | F: 800.910.0134

324 Delaware Avenue | PO Box 446 | Oakmont PA 15139