

# SANITARY TEE

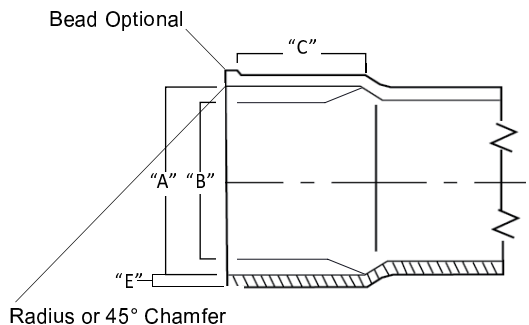
# TECHNICAL INFORMATION

(317) 346-4110

**DRAINAGE SOLUTIONS, INC** www.drainagesolutionsinc.com

### Fittings Socket Dimensions - Inches

Nominal Size	A	B	C
4"	4.235±0.009	4.210±0.009	1.75
6"	6.305±0.011	6.270±0.011	3.000



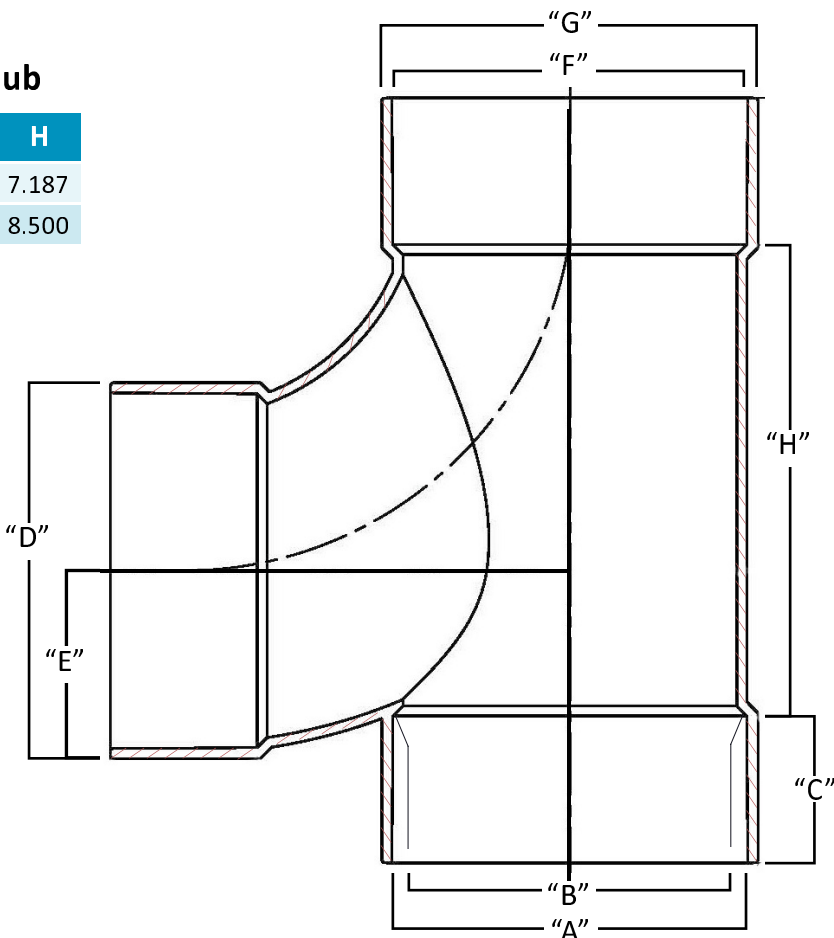
### Pipe Dimensions Minimum Wall Thickness

Pipe Dimensions		Minimum Wall Thickness	
Outside Diameter	SDR 35		
Nominal Size	Average	Tolerance on Average	E
4"	4.215	±0.009	0.120
6"	6.275	±0.011	0.180

## Sanitary Tee

### Sewer Hub x Sewer Hub x Sewer Hub

Part #	Size	Desc.	D	F	G	H
V-1104	4"	HxHxH	5.437	3.687	5.437	7.187
V-1106	6"	HxHxH	9.000	5.187	8.040	8.500



**Normandy Products are proudly  
made in the USA.**

www.normandyproducts.com

T: 800.322.9463 | F: 800.910.0134

324 Delaware Avenue | PO Box 446 | Oakmont PA 15139