



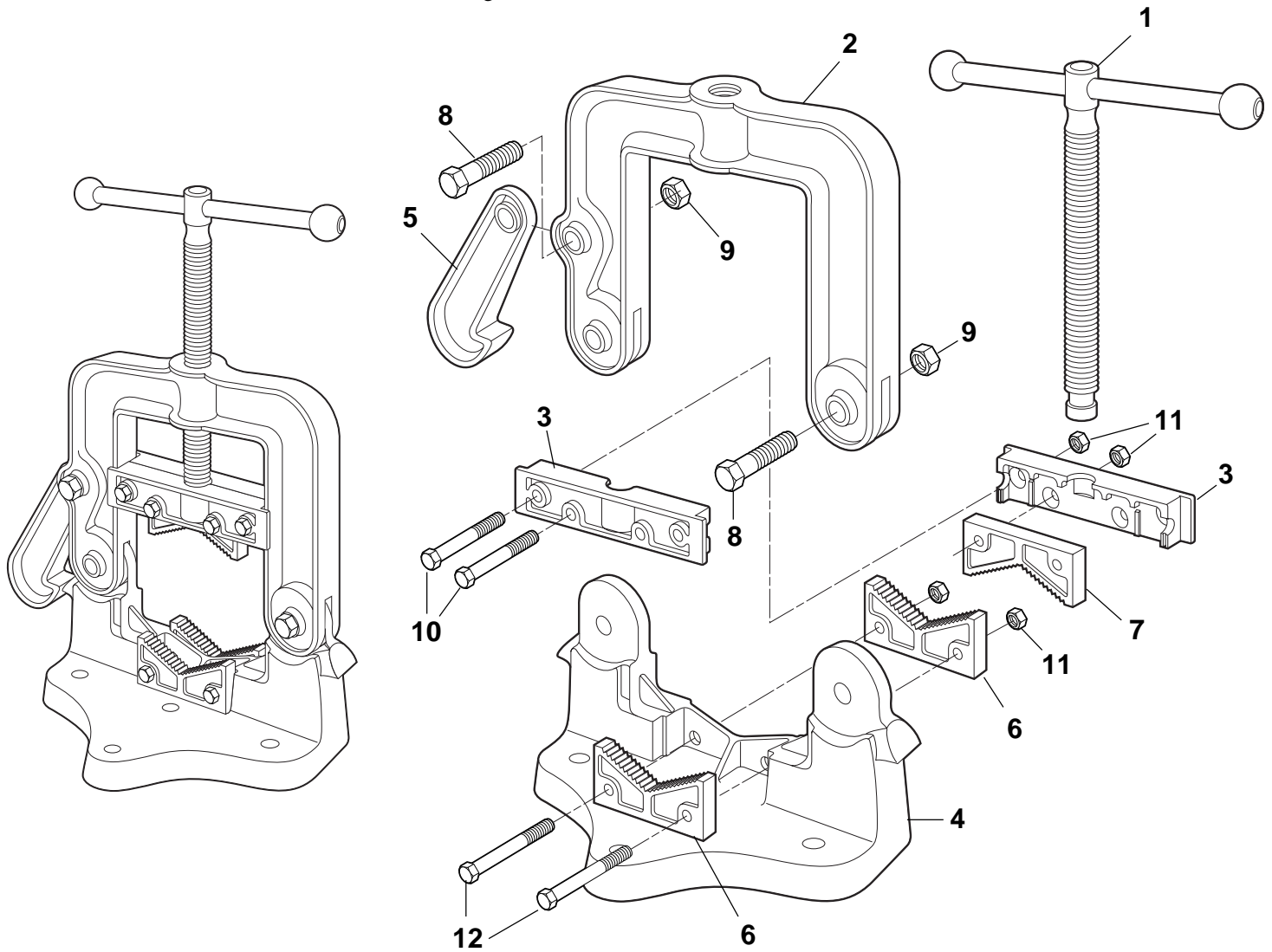
**DRAINAGE
SOLUTIONS, INC**

Yoke Pipe Vises (64, 65 & 66)

Replacement Parts

(317) 346-4110

www.drainagesolutionsinc.com



Parts List

Ref. No.	Description	64		65		66	
		Item Code	Qty. Used	Item Code	Qty. Used	Item Code	Qty. Used
1	Handle & Screw	92473	1	92483	1	92493	1
2	Yoke	92043	1	92047	1	92032	1
3	Crosshead	92474	2	92484	2	92494	2
4	Base	92044	1	92485	1	92051	1
5	Hook	92045	1	92048	1	92052	1
6	Lower Jaw	92472	2	92482	2	92492	2
7	Upper Jaw	92471	1	92481	1	92491	1
8	Cap Screw	30063	2	30072	2	30073	2
9	Hex Nut	30064	2	30070	2	30074	2
10	Cap Screw	30067	3	30069	4	30071	4
11	Hex Nut	30032	5	30068	6	30068	6
12	Cap Screw	30066	2	30095	2	30075	2

Reed Manufacturing Co.
1425 West 8th St.
Erie, PA 16502 U.S.A.



Phone: 800-666-3691 or 814-452-3691
Fax: 800-456-1697 or 814-455-1697

RP-301-34