



PIPE TOOLS & VISES
SINCE 1896



**DRAINAGE
SOLUTIONS, INC**

(317) 346-4110

www.drainagesolutionsinc.com

CPDWWCNT Counter Instructions

for use with REED CPDWW

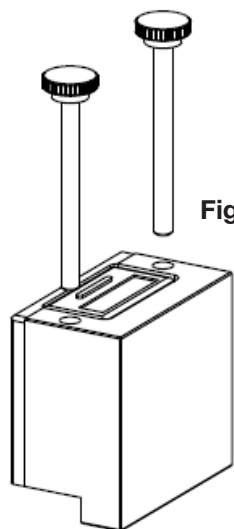


Figure 2

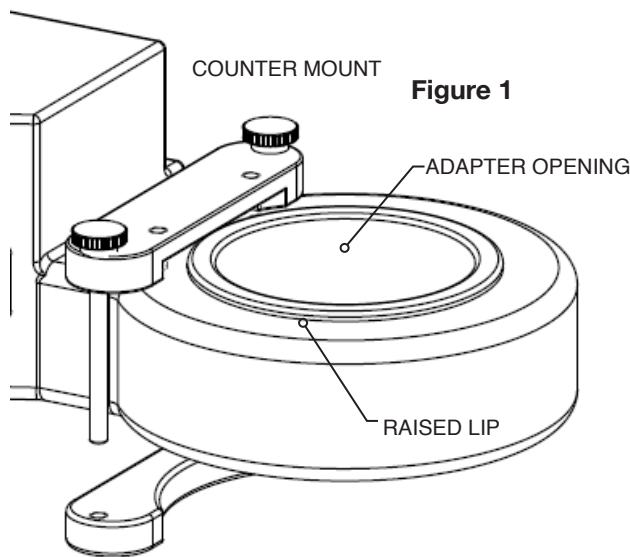
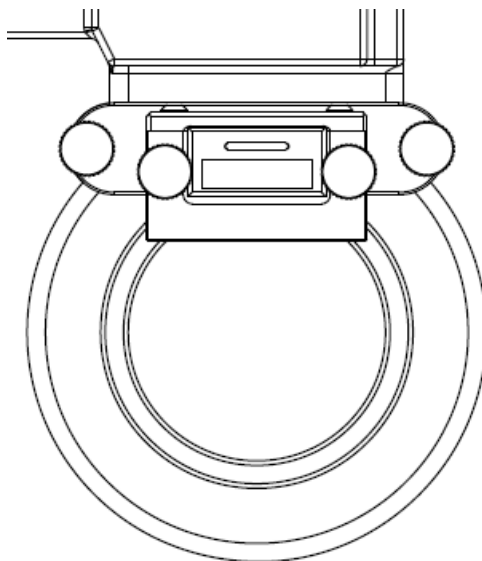


Figure 1

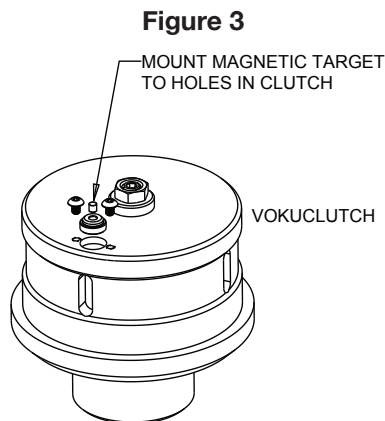


Figure 3

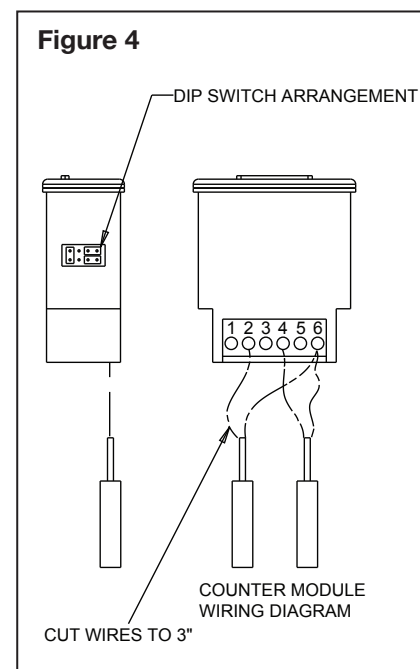


Figure 4

INSTALLATION INSTRUCTIONS

To mount the CPDWWCNT Counter to the CPDWW Cordless Power Drive, first attach the mount and clamp to the power drive. (Figure 1) Snug the thumb screws to allow the mount to move but not slide freely. Slide the mount towards the Adapter Opening until it touches the raised lip and center the mount on the power drive and tighten the thumb screws evenly. Attach the counter module to mount with thumb screws. (Figure 2)

Place the magnetic target, magnet side up, into the hole on the clutch. (Figure 3) Tighten the two 6-32 button head screws into the clutch to hold the magnetic target in the clutch. Once the magnetic target has been mounted, insert the clutch into the CPDWW for the counter to track rotations.

OPERATING INSTRUCTIONS

The counter works by the magnet passing two sensors in the bottom of the counter module. When the CPDWW Cordless Power Drive is run in a clockwise direction; the numbers on the counter will advance in a positive direction from 0 to 99999999. If the power drive is run in a counterclockwise direction, the numbers on the counter will advance in the opposite direction from 99999999 to 0.

The counter is powered by an unreplaceable internal battery that has a 5 - 7 year life and the Counter Module #95289 will have to be replaced periodically. (Figure 4)

The counter module is removable and can be stored separately in a safe place when the counter is not in use. The counter mount can remain on the CPDWW and should not interfere with any other uses of the power drive.