



PIPE TOOLS & VISES
SINCE 1896

Mechanical Hot Tapping Machine - DM3MECH



DRAINAGE
SOLUTIONS, INC

(317) 346-4110

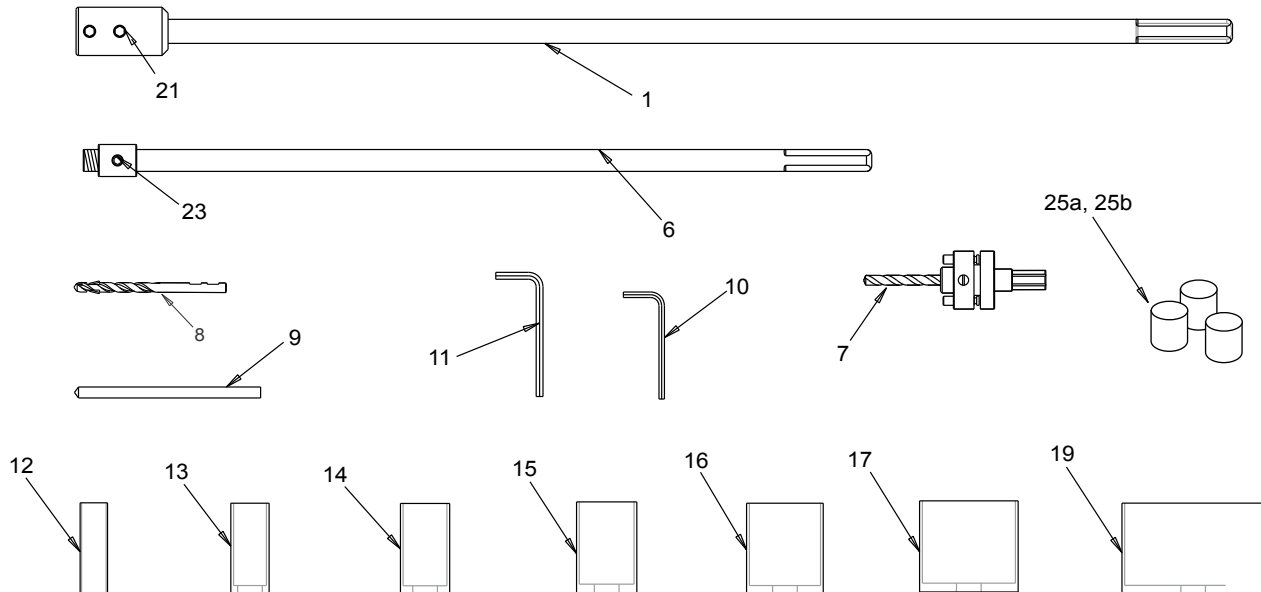
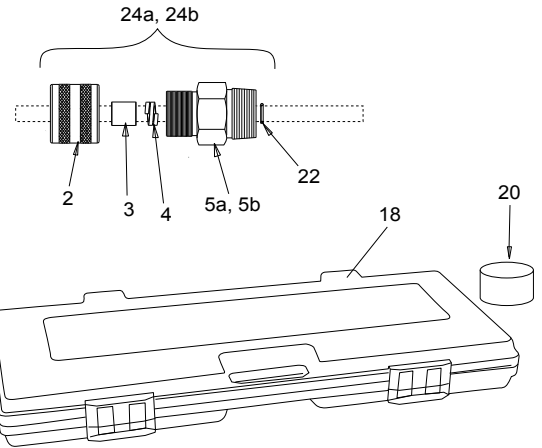
www.drainagesolutionsinc.com

Replacement Parts

Parts List (Lista de partes)

Ref. No (Núm de Ref)	Description (Descripción)	Item Code (Código del objeto)	DM3MECH	DM3MECHB	DM3MECHBSPT	DM3MECHBSPTB
			08350	08351	08354	08355
			Qty. Used (Cant. Usada)	Qty. Used (Cant. Usada)	Qty. Used (Cant. Usada)	Qty. Used (Cant. Usada)
1*	24" Shaft Complete (Eje de 24" completo)	93514	1	1	1	1
2	Gland Nut (Tuerca del prensaestopas)	93501	1	1	1	1
3	Brass Ring (Anillo de bronce)	93502	1	1	1	1
4	1/8" Sq. x 4-1/2" Packing (1/8" cuad. x empaque de 4-1/2")	43511	1	1	1	1
5a	Main Body (NPT) (Cuerpo principal (NPT))	93500	1	1	N/A (N/D)	N/A (N/D)
5b	Main Body (BSPT) (Cuerpo principal (BSPT))	93503	N/A (N/D)	N/A (N/D)	1	1
6*	18" Shaft (Eje de 18")	93515	1	1	1	1
7	Arbor (Mandril)	43514	1	—	1	—
8	Coupon Retaining Drill Bit (Broca de retención de cupones)	99129	1	1	1	1
9	Drill Bit (Broca)	43507	1	1	1	1
10	1/8" Allen Wrench (Llave Allen de 1/8")	40296	1	1	1	1
11	5/32" Allen Wrench (Llave Allen de 5/32")	40149	1	1	1	1
12	5/8" Hole Saw (Sierra de orificio de 5/8")	43500	1	1	1	—
13	7/8" Hole Saw (Sierra de orificio de 7/8")	43501	1	1	1	—
14	1-1/8" Hole Saw (Sierra de orificio de 1-1/8")	43502	1	1	1	—
15	1-3/8" Hole Saw (Sierra de orificio de 1-3/8")	43503	1	1	1	—
16	1-3/4" Hole Saw (Sierra de orificio de 1-3/4")	43504	1	1	1	—
17	2-1/4" Hole Saw (Sierra de agujero de 2-1/4")	43505	1	1	1	—
18	Tool Box (Caja de herramientas)	93526	1	1	1	1
19	3-1/4" Hole Saw (Sierra de agujero de 3-1/4")	43506	1	—	1	—
20	Body Protector (Protector del cuerpo)	43510	1	1	1	1
21*	Set Screw (Tornillo de ajuste)	33524	1	1	1	2
22	O - Ring (Anillo Tórico)	43513	1	1	1	1
23*	1/4 Set Screw (tornillo de fijación de 1/4)	30018	1	1	1	1
24a	Main Assembly (NPT) (Asamblea principal (NPT))	93527	—	—	N/A (N/D)	N/A (N/D)
24b	Main Assembly (BSPT) (Asamblea principal (BSPT))	93528	N/A (N/D)	N/A (N/D)	—	—
25a	above 1" hole cutter, 3/8" magnets (cortador de orificios mayor de 1", imanes de 3/8")	08358	1 pk. (1 paquete) (3)	1 pk. (1 paquete) (3)	1 pk. (1 paquete) (3)	1 pk. (1 paquete) (3)
25b	1" and smaller hole cutter, 1/4" magnets (Cortador de orificios de 1" y menor, imanes de 1/4")	08359	1 pk. (1 paquete) (3)	1 pk. (1 paquete) (3)	1 pk. (1 paquete) (3)	1 pk. (1 paquete) (3)
26	H1 Grease (3 oz. tube) (Grasa H1 (tubo de 3 oz.))	43512	1	1	1	1

#33524 and #30018 are sold separate from the shafts #93514 and #93515. (# 33524 y # 30018 se venden por separado de los ejes # 93514 y # 93515 .)



Reed Manufacturing
1425 West 8th Street
Erie, PA 16502 USA



Phone: 800-666-3691 or 814-452-3691
Fax: 800-456-1697 or 814-455-1697
www.reedmfgco.com

RP-0820-90
See also: 58350