



PIPE TOOLS & VISES  
SINCE 1896



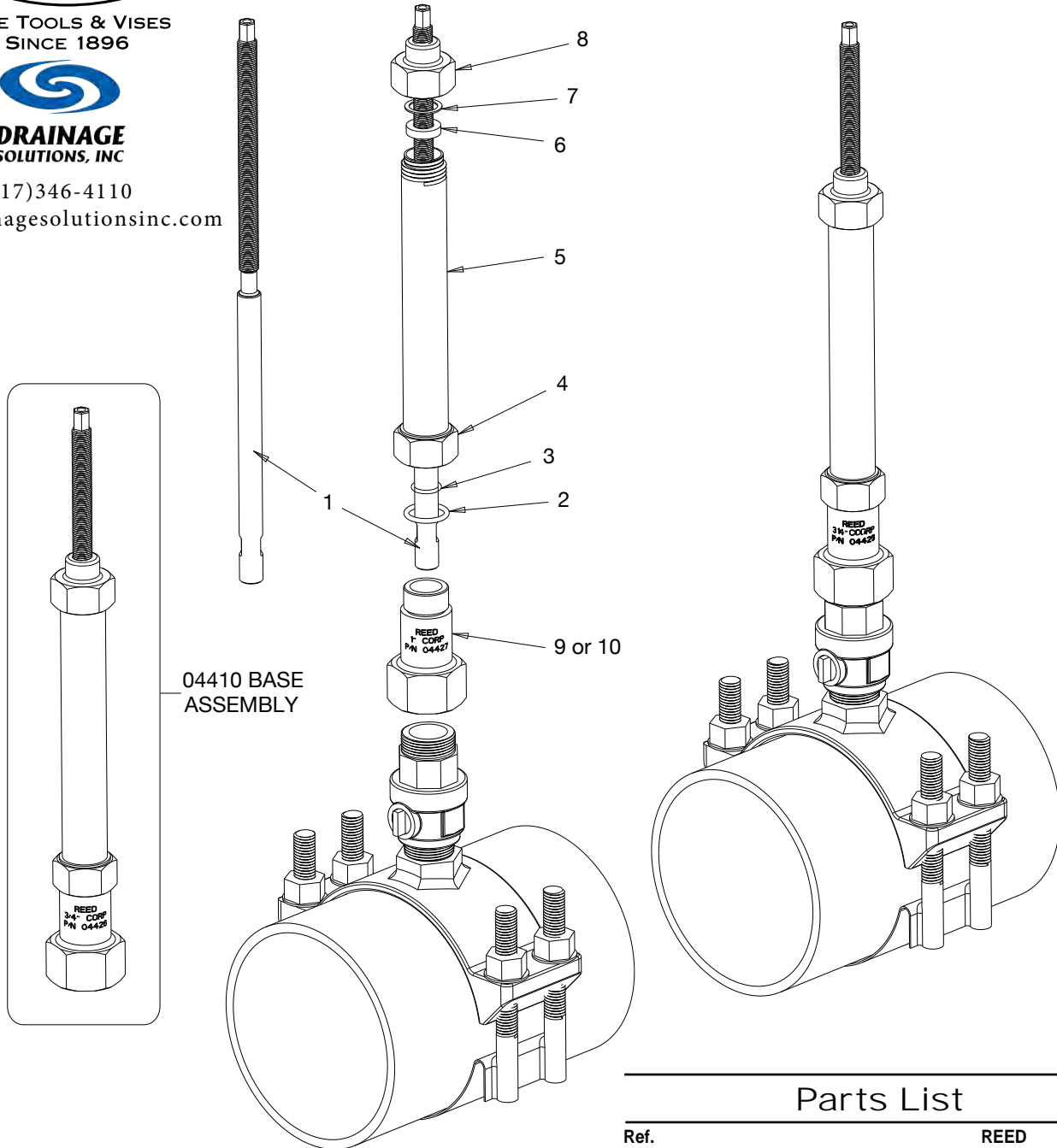
**DRAINAGE  
SOLUTIONS, INC**

(317)346-4110

www.drainagesolutionsinc.com

# PVC/PE Drilling Machine (DMPVC)

Replacement Parts



## Parts List

| Ref. No. | Description             | REED Item Code | Quantity |
|----------|-------------------------|----------------|----------|
| 1        | Boring Bar / Feed Screw | 94205          | 1        |
| 2        | O-Ring                  | 40407          | 1        |
| 3        | O-Ring                  | 40406          | 1        |
| 4        | End Adapter             | 94155          | 1        |
| 5        | Main Body               | 94153          | 1        |
| 6        | Bar Stop                | 94159          | 1        |
| 7        | Retaining Ring          | 40428          | 1        |
| 8        | Feed Nut                | 94204          | 1        |
| 9        | DMPVC 3/4" Corp Adapter | 04426          | 1        |
| 10       | DMPVC 1" Corp Adapter   | 04427          | 1        |

Reed Manufacturing  
1425 West 8th Street  
Erie, PA 16502 USA

**QUALITY  
& Service**  
that Last a Lifetime

Phone: 800-666-3691 or +1-814-452-3691  
Fax: 800-456-1697 or 814-455-1697  
www.reedmfgco.com



PIPE TOOLS & VISES  
SINCE 1896

# PVC Drilling Machine (DMPVC)

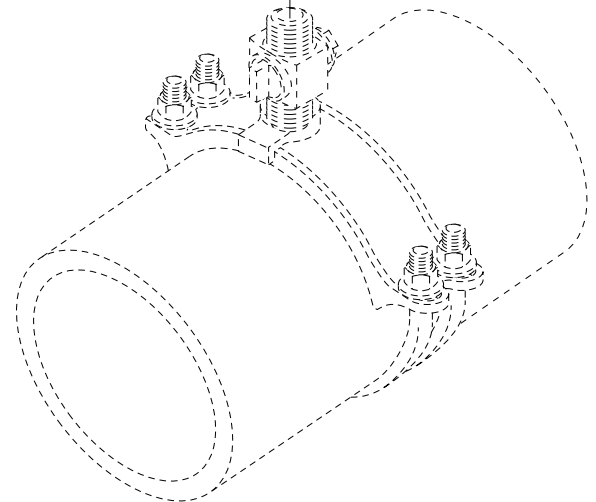
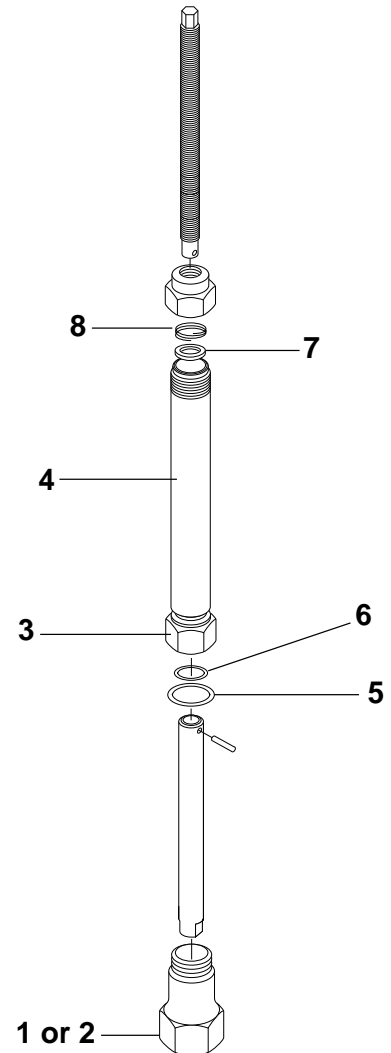
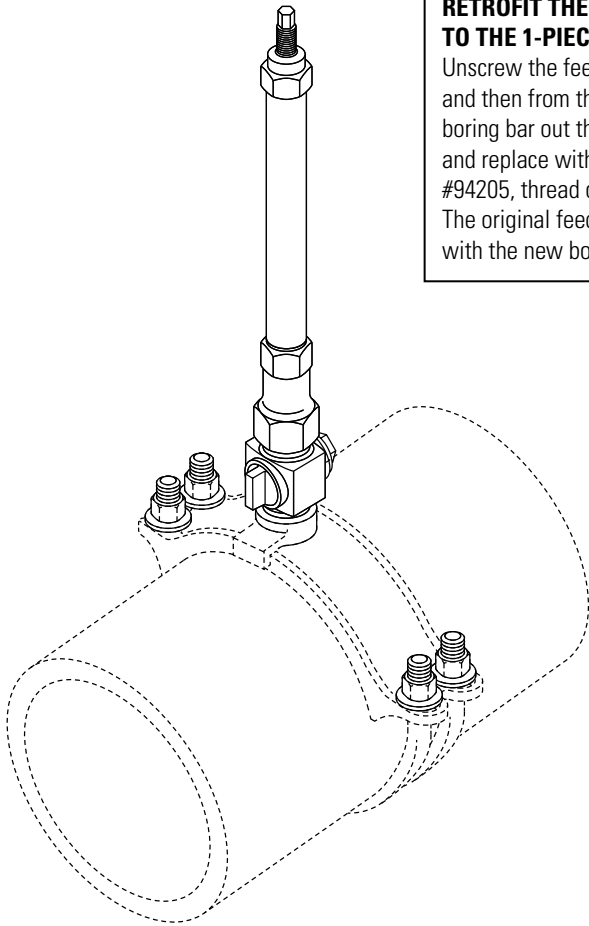
Replacement Parts

For units manufactured by Reed prior to 2014 using a 2-piece shaft.

**NOTE:** To convert the 2-piece design to the newer 1-piece boring bar, order DMPVC Conversion Kit #04409.

**RETROFIT THE 2-PIECE BORING BAR TO THE 1-PIECE BORING BAR:**

Unscrew the feed nut from the main body and then from the boring bar. Slide the old boring bar out the far end of the main body and replace with the new revised boring bar #94205, thread on the new feed nut #94204. The original feed nut #94154 cannot be used with the new boring bar #94205.



## Parts List

| Ref. No. | Description        | REED Item Code | Cat No.     |
|----------|--------------------|----------------|-------------|
| 1        | 1" Corp. Adapter   | 04427          | DMCA100PVC  |
| 2        | 3/4" Corp. Adapter | 04426          | DMCA75PVC   |
| 3        | End Adapter        | 94155          | DMF8485     |
| 4        | Main Body          | 94153          | DMF8483     |
| 5        | O-Ring             | 40407          | DMPVCOR-209 |
| 6        | O-Ring             | 40406          | DMPVCOR-215 |
| 7        | Bar Stop           | 94159          | DMF8489     |
| 8        | Retaining Ring     | 40428          | DMPVCRR     |