

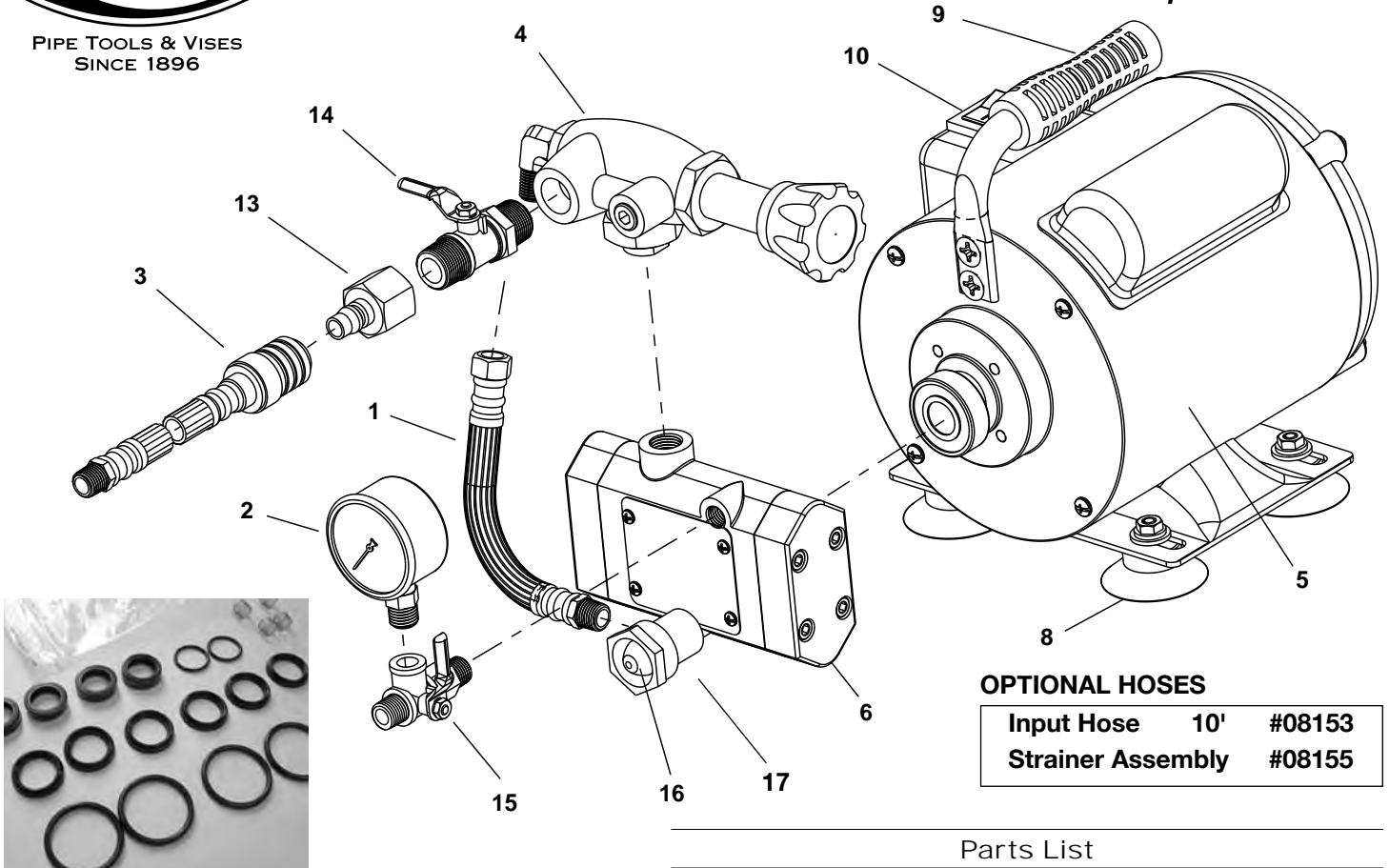


PIPE TOOLS & VISES
SINCE 1896

**DRAINAGE
SOLUTIONS, INC**

Electric Hydrostatic Test Pumps

Replacement Parts



OPTIONAL HOSES

Input Hose	10'	#08153
Strainer Assembly		#08155

Parts List

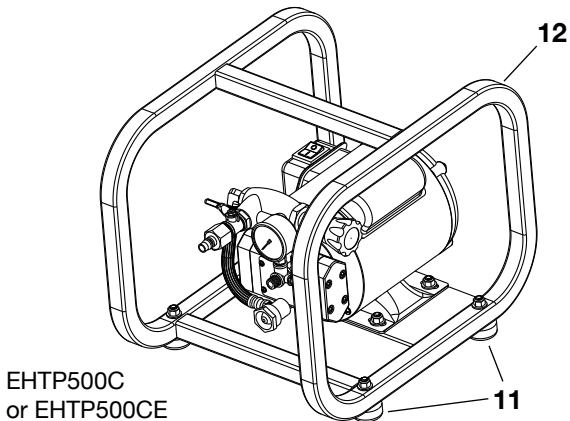
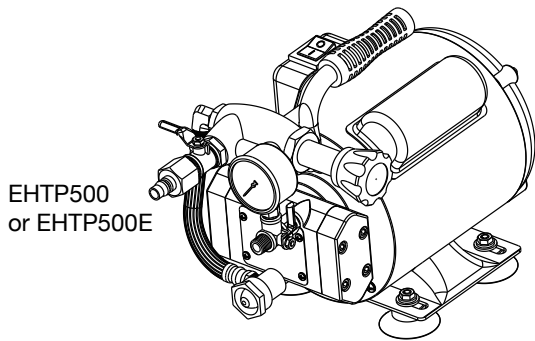
ITEM	DESCRIPTION	EHTP500	EHTP500C	QTY.
		EHTP500E	EHTP500CE	
1	BYPASS HOSE	48183	48183	1
2	PRESSURE GAUGE	48185	48185	1
3	HIGH PRESSURE OUTPUT HOSE	08172	08172	1
4	REGULATOR ASSEMBLY	48189	48189	1
5a*	MOTOR ASSEMBLY 110V.	48187	48187	1
5b*	MOTOR ASSEMBLY 220V.	48196	48196	**
6	PUMP ASSEMBLY	48188	48188	1
7	SEAL KIT	48181	48181	1
8	PUMP FEET	48190	—	4
9	CARRYING HANDLE	48191	—	1
10	ELECTRIC SWITCH / COVER	48193	48193	1
11	CAGE FEET	—	48186	4
12	CAGE WITH FEET	—	48195	1
13	MALE QUICK CONNECT	48200	48200	1
14	HIGH PRESSURE VALVE	48201	48201	1
15	3-WAY VALVE	48202	48202	1
16***	HOSE WASHER W/SCREEN	98180	98180	1
17	INTAKE HOSE FITTING	48204	48204	1

* Motor Assembly also includes #8, #9 and #10.

** Choose the proper voltage.

*** Sold in packs of 3 screens / priced per pack.

7



Reed Manufacturing Company
1425 West 8th Street
Erie, PA 16502 USA



Phone: 800-666-3691 or 814-452-3691
Fax: 800-456-1697 or 814-455-1697
www.reedmfgco.com

Diagram for models sold after July 2013.

RP-0320-99
See Also 58170