



PIPE TOOLS & VISES  
SINCE 1896



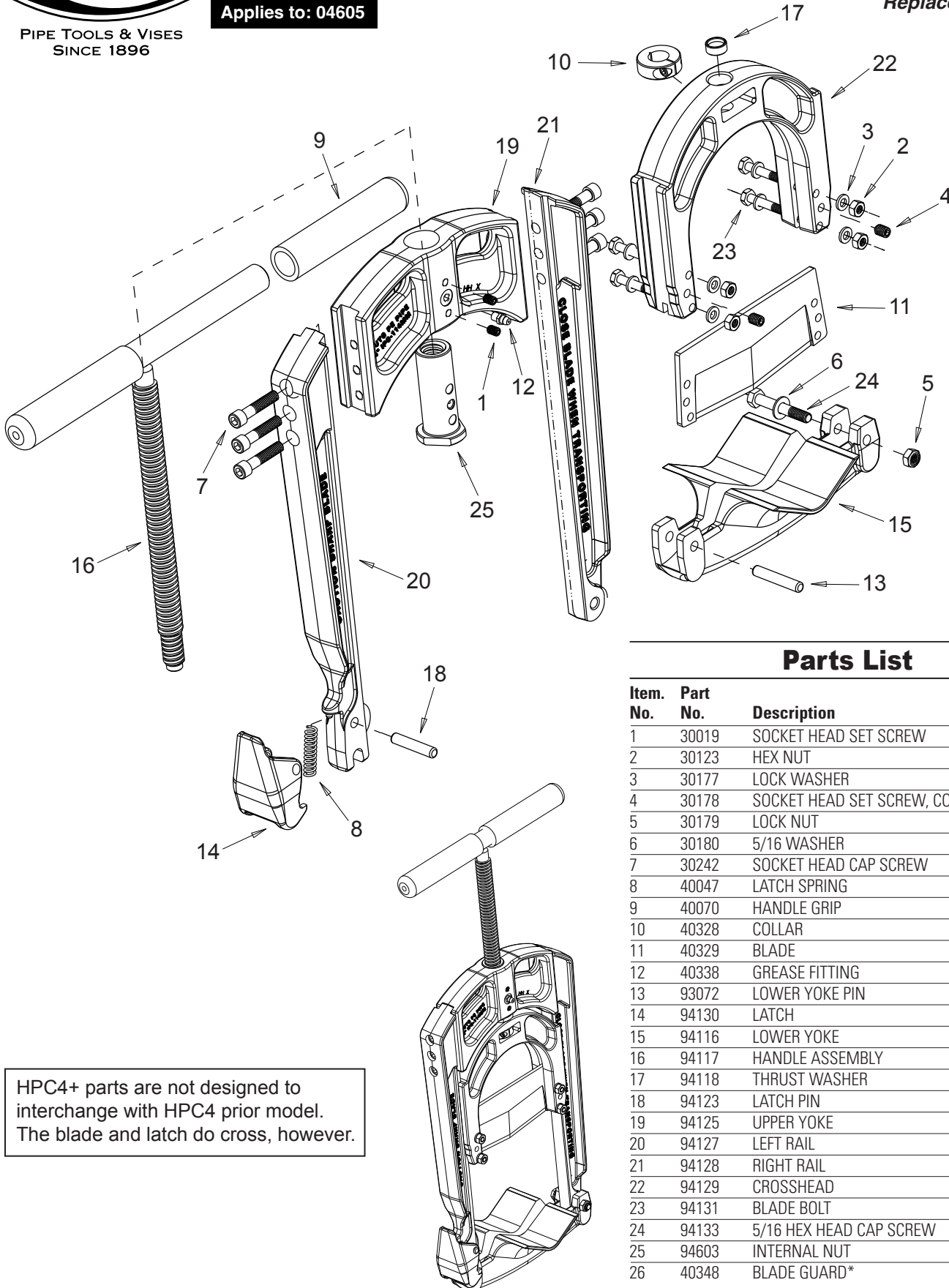
**DRAINAGE SOLUTIONS, INC** www.drainagesolutionsinc.com

(317) 346-4110

# Guillotine Pipe Cutter HPC4+

Applies to: 04605

## Replacement Parts



HPC4+ parts are not designed to interchange with HPC4 prior model. The blade and latch do cross, however.

## Parts List

Item No.	Part No.	Description	Qty.
1	30019	SOCKET HEAD SET SCREW	2
2	30123	HEX NUT	4
3	30177	LOCK WASHER	8
4	30178	SOCKET HEAD SET SCREW, CONE POINT	2
5	30179	LOCK NUT	1
6	30180	5/16 WASHER	1
7	30242	SOCKET HEAD CAP SCREW	6
8	40047	LATCH SPRING	1
9	40070	HANDLE GRIP	2
10	40328	COLLAR	1
11	40329	BLADE	1
12	40338	GREASE FITTING	1
13	93072	LOWER YOKE PIN	1
14	94130	LATCH	1
15	94116	LOWER YOKE	1
16	94117	HANDLE ASSEMBLY	1
17	94118	THRUST WASHER	1
18	94123	LATCH PIN	1
19	94125	UPPER YOKE	1
20	94127	LEFT RAIL	1
21	94128	RIGHT RAIL	1
22	94129	CROSSHEAD	1
23	94131	BLADE BOLT	4
24	94133	5/16 HEX HEAD CAP SCREW	1
25	94603	INTERNAL NUT	1
26	40348	BLADE GUARD*	1

\*not shown

Reed Manufacturing  
1425 West 8th Street  
Erie, PA 16502 USA



Phone: 800-666-3691 or +1 814-452-3691  
reedsales@reedmfgco.com  
www.reedmfgco.com