



PIPE TOOLS & VISES
SINCE 1896



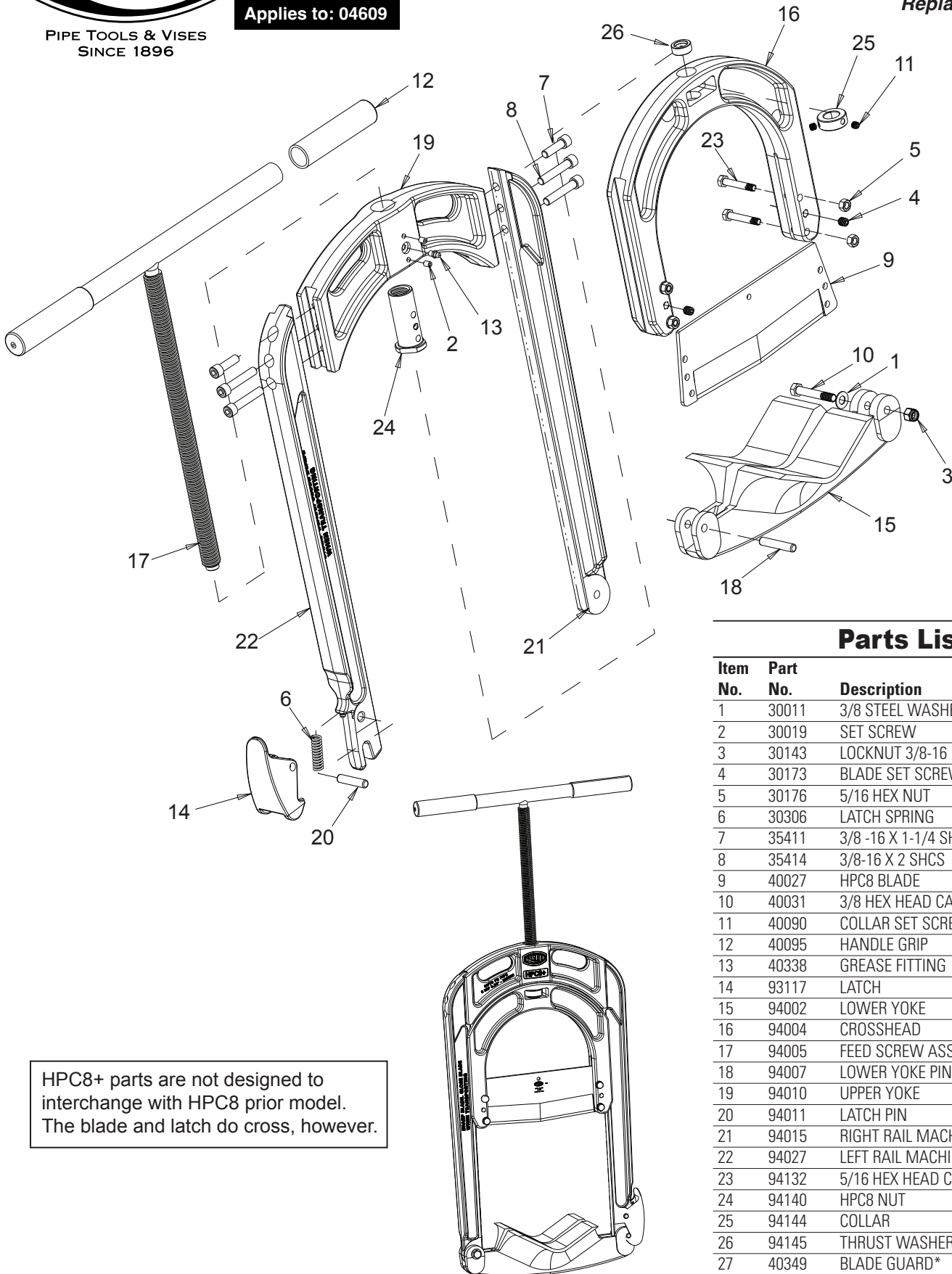
DRAINAGE
SOLUTIONS, INC

(317) 346-4110
www.drainagesolutionsinc.com

Guillotine Pipe Cutter HPC8+

Applies to: 04609

Replacement Parts



HPC8+ parts are not designed to interchange with HPC8 prior model. The blade and latch do cross, however.

Parts List

Item No.	Part No.	Description	Qty.
1	30011	3/8 STEEL WASHER	1
2	30019	SET SCREW	2
3	30143	LOCKNUT 3/8-16	1
4	30173	BLADE SET SCREW	2
5	30176	5/16 HEX NUT	4
6	30306	LATCH SPRING	1
7	35411	3/8 -16 X 1-1/4 SHCS	2
8	35414	3/8-16 X 2 SHCS	4
9	40027	HPC8 BLADE	1
10	40031	3/8 HEX HEAD CAP SCREW	1
11	40090	COLLAR SET SCREW	2
12	40095	HANDLE GRIP	2
13	40338	GREASE FITTING	1
14	93117	LATCH	1
15	94002	LOWER YOKE	1
16	94004	CROSSHEAD	1
17	94005	FEED SCREW ASSEMBLY	1
18	94007	LOWER YOKE PIN	1
19	94010	UPPER YOKE	1
20	94011	LATCH PIN	1
21	94015	RIGHT RAIL MACHINED	1
22	94027	LEFT RAIL MACHINED	1
23	94132	5/16 HEX HEAD CAP SCREW	4
24	94140	HPC8 NUT	1
25	94144	COLLAR	1
26	94145	THRUST WASHER	1
27	40349	BLADE GUARD*	1

*not shown

Reed Manufacturing
1425 West 8th Street
Erie, PA 16502 USA

QUALITY
&Service
that Last a Lifetime

Phone: 800-666-3691 or +1 814-452-3691
reedsales@reedmfgco.com
www.reedmfgco.com

RP-1022-140