



(317) 346-4110

DRAINAGE SOLUTIONS, INC. www.drainagesolutionsinc.com

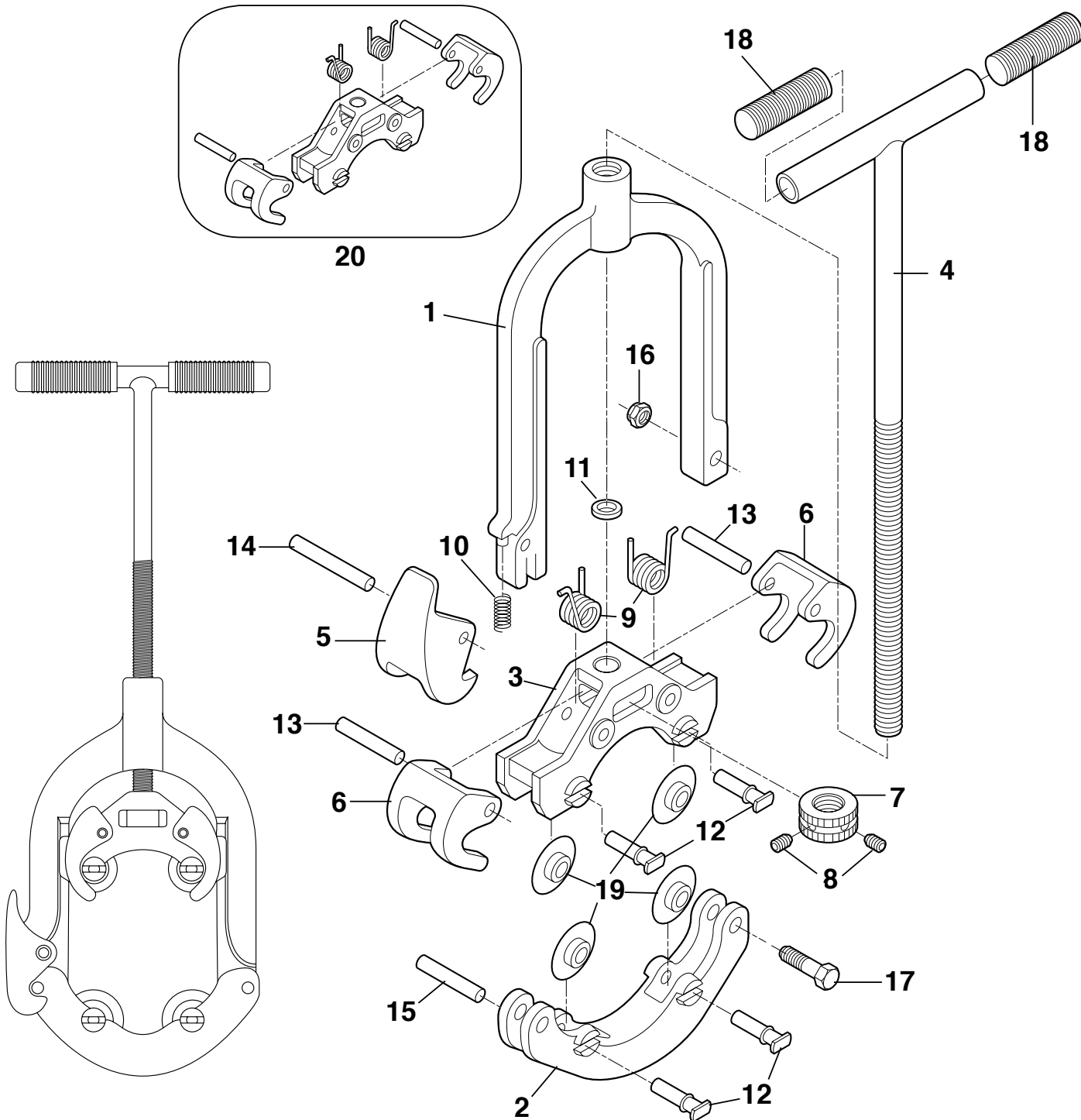


PIPE TOOLS & VISES
SINCE 1896

Hinged Cutters

Replacement Parts

Crosshead Assembly



H6SHH, H8SHH, and H12SHH use alternate #2 Lower Yoke and #21 Helper Handle, neither shown.

Reference chart on reverse side

Reed Manufacturing Company
1425 West 8th St.
Erie, PA 16502 USA



Phone: 800-666-3691 or 814-452-3691
Fax: 800-456-1697 or 814-455-1697
www.reedmfgco.com

RP-0214-70



PIPE TOOLS & VISES
SINCE 1896

Hinged Cutters

Replacement Parts

Parts List

Ref. No.	Description	H2-1/2 Item Code	H4 Item Code	H6 / H6SHH Item Code	H8 / H8SHH Item Code	H12 / H12SHH Item Code	Qty	
1	Upper Yoke	93150	93151	93152	93153	93154	1	
2	Lower Yoke	93120	93121	93122	93123	93124	1	
3	Crosshead	93135	93136	93137	93138	93139	1	
4	Handle & Screw	93125	93126	93127	93128	93128	1	
5	Latch	93115	93116	93117	93117	93117	1	
6	Guide	93043	93046	93049	93049	93049	2	
7	Crosshead Locknut	93140	93141	93142	93143	93143	1	
8	Set Screws	40083	40090	40090	40090	40090	2	
9	Guide Spring	40341	40035	40036	40036	40036	2	
10	Latch Spring	40046	40030	40030	40030	40030	1	
11	Thrust Washer	93044	93010	93052	93052	93052	1	
12	Wheel Pin	93310	93310	93112	93112	93112	4	
13	Guide Pin	30030	30030	30013	30013	30013	2	
14	Latch Pin	93019	93018	93018	93018	93018	1	
15	Lower Yoke Pin	93181	93008	93008	93008	93008	1	
16	Locknut	30179	30143	30143	30143	30143	1	
17	Hinge Bolt	93155	93146	93156	93156	93156	1	
18	Handle Grips	Not Used	40196	40197	40197	40197	2	
19	Cutter Wheel	See Cutter Wheel Reference Chart below						
20	Crosshead Assembly	93130	93131	93132	93133	93134	1	
21	Helper Handle*	—	—	97219*	97219*	97219*	1	

*Used only on H6SHH, H8SHH and H12SHH

Cutter Wheel Reference Chart

Cutter Wheel				
Item Code	Catalog No.	Quantity	Hinged Cutter	Application
03502	HS21/2	4	H21/2	Steel; Stainless Steel
03504	HS4	4	H4	Steel; Stainless Steel
03505	HSI4	4	H4	Steel; Stainless Steel; Cast Iron; Ductile Iron
03506	HS6	4	H6	Steel; Stainless Steel
03507	HSI6-8	4	H6; H8	Steel; Stainless Steel; Cast Iron; Ductile Iron
03508	HS8-12	4	H8; H12	Steel; Stainless Steel
03510	HX21/2	4	H21/2	Steel; Stainless Steel; Schd 80
03512	HX4	4	H4	Steel; Stainless Steel; Schd 80
03514	HX6	4	H6	Steel; Stainless Steel; Schd 80
03516	HX8	4	H8; H12	Steel; Stainless Steel; Schd 80
03518	HXX8	4	H8; H12	Steel; Stainless Steel; Schd 100
03522	HI4	4	H4	Cast Iron; Ductile Iron
03524	HI6	4	H6; H8; H12	Cast Iron; Ductile Iron
03525	H6PSE5	4	H6; H8; H12	Steel; Cast Iron; Ductile Iron
03574	HSB4	4	H4	Steel; Stainless Steel (ball bearing)
03576	H6B6	4	HS	Steel; Stainless Steel (ball bearing)
03578	HSB8-12	4	H8; H12	Steel; Stainless Steel (ball bearing)
03624	2RBCI	4	H21/2	Cast Iron; Ductile Iron