



(317) 346-4110

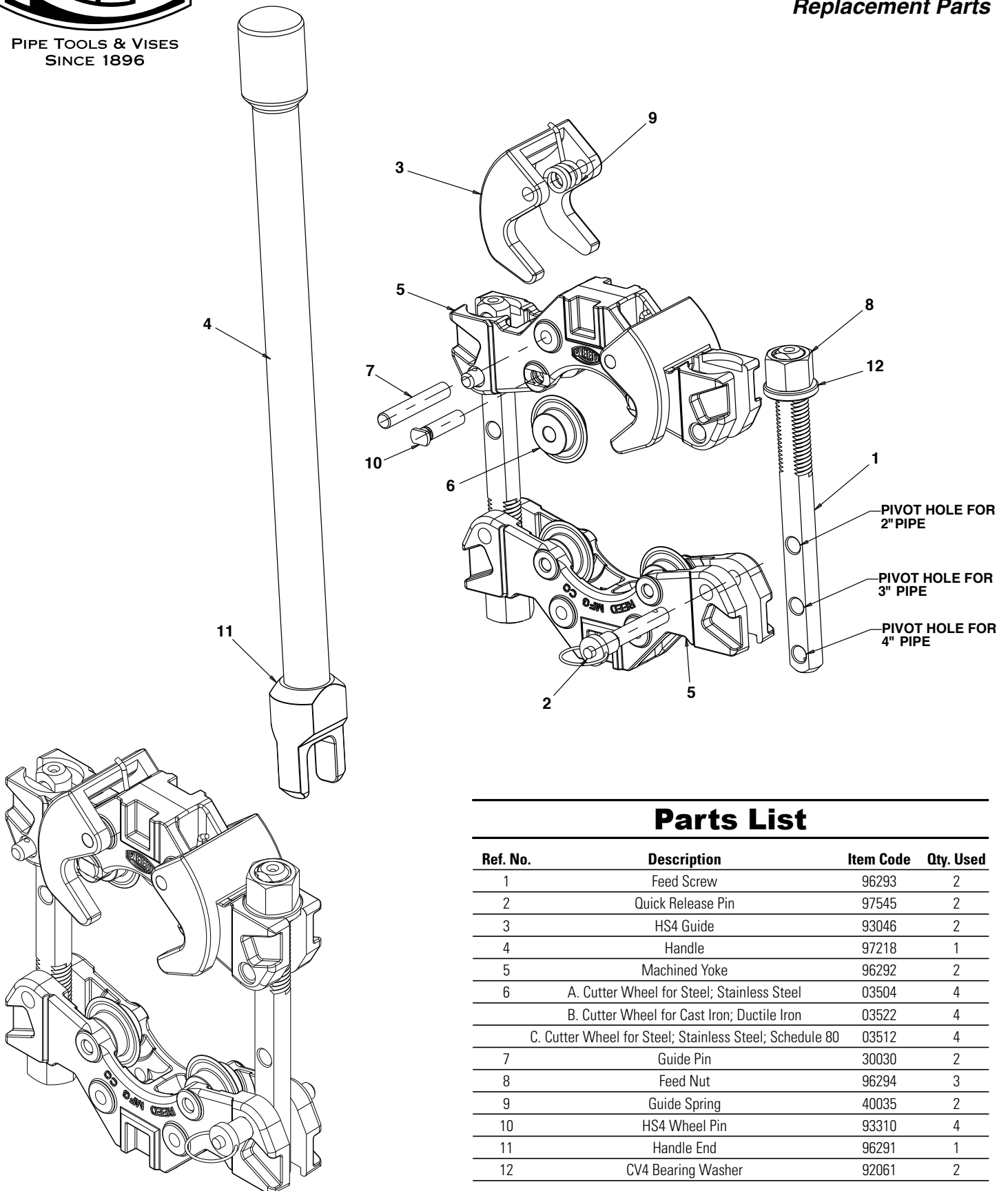
**DRAINAGE SOLUTIONS, INC.** www.drainagesolutionsinc.com

# LCRC4 Rotary Cutter



PIPE TOOLS & VISES  
SINCE 1896

## Replacement Parts



### Parts List

Ref. No.	Description	Item Code	Qty. Used
1	Feed Screw	96293	2
2	Quick Release Pin	97545	2
3	HS4 Guide	93046	2
4	Handle	97218	1
5	Machined Yoke	96292	2
6	A. Cutter Wheel for Steel; Stainless Steel	03504	4
	B. Cutter Wheel for Cast Iron; Ductile Iron	03522	4
	C. Cutter Wheel for Steel; Stainless Steel; Schedule 80	03512	4
7	Guide Pin	30030	2
8	Feed Nut	96294	3
9	Guide Spring	40035	2
10	HS4 Wheel Pin	93310	4
11	Handle End	96291	1
12	CV4 Bearing Washer	92061	2

Reed Manufacturing Company  
1425 West 8th Street  
Erie, PA 16502 USA

**QUALITY & Service**  
that Last a Lifetime

Phone: 800-666-3691 or 814-452-3691  
Fax: 800-456-1697 or 814-455-1697  
www.reedmfgco.com