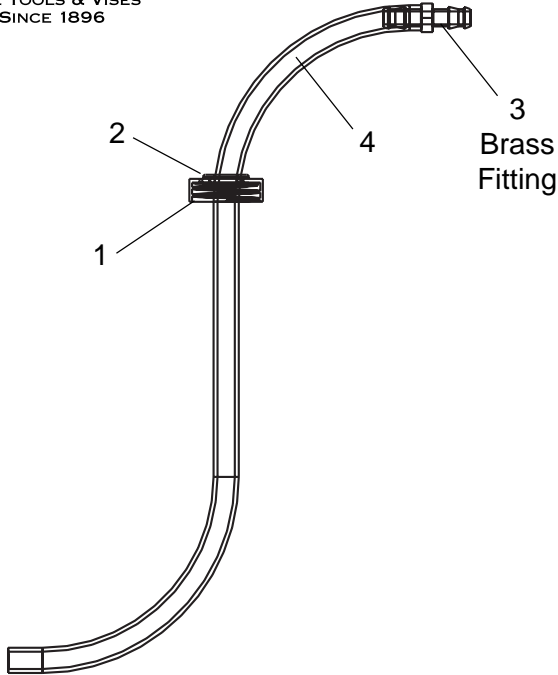




PIPE TOOLS & VISES
SINCE 1896



Oil Bottle Operating Instructions

Catalog No. OLBOT1 Item Code #06157

Follow local regulations for collecting and disposing of threaded oil.

The cap has a small hole for letting air in while dispensing oil. Setting the oil container on its side will result in oil leakage.

The cap fits on standard 1 gallon plastic containers.

The brass fitting fits a 3/8" hose such as the Reed Hand Oil Pump (#97395) and other common oilers.

Press fitting over hose before screwing cap onto oil container.

Ref. No.	Item Code	Description	Qty.
1	97340	Cap	1
2	97341	Grommet	1
3	97342	3/8" Hose Barb	1
4	97343	Hose	1
Not included	97395	Hand Oil Pump	-

Reed Manufacturing Company
1425 West 8th St.
Erie, PA 16502 USA



(317) 346-4110

www.drainagesolutionsinc.com

Phone: 800-666-3691 or 814-452-3691
Fax: 800-456-1697 or 814-455-1697
www.reedmfgco.com

902-55244