



PIPE TOOLS & VISES
SINCE 1896

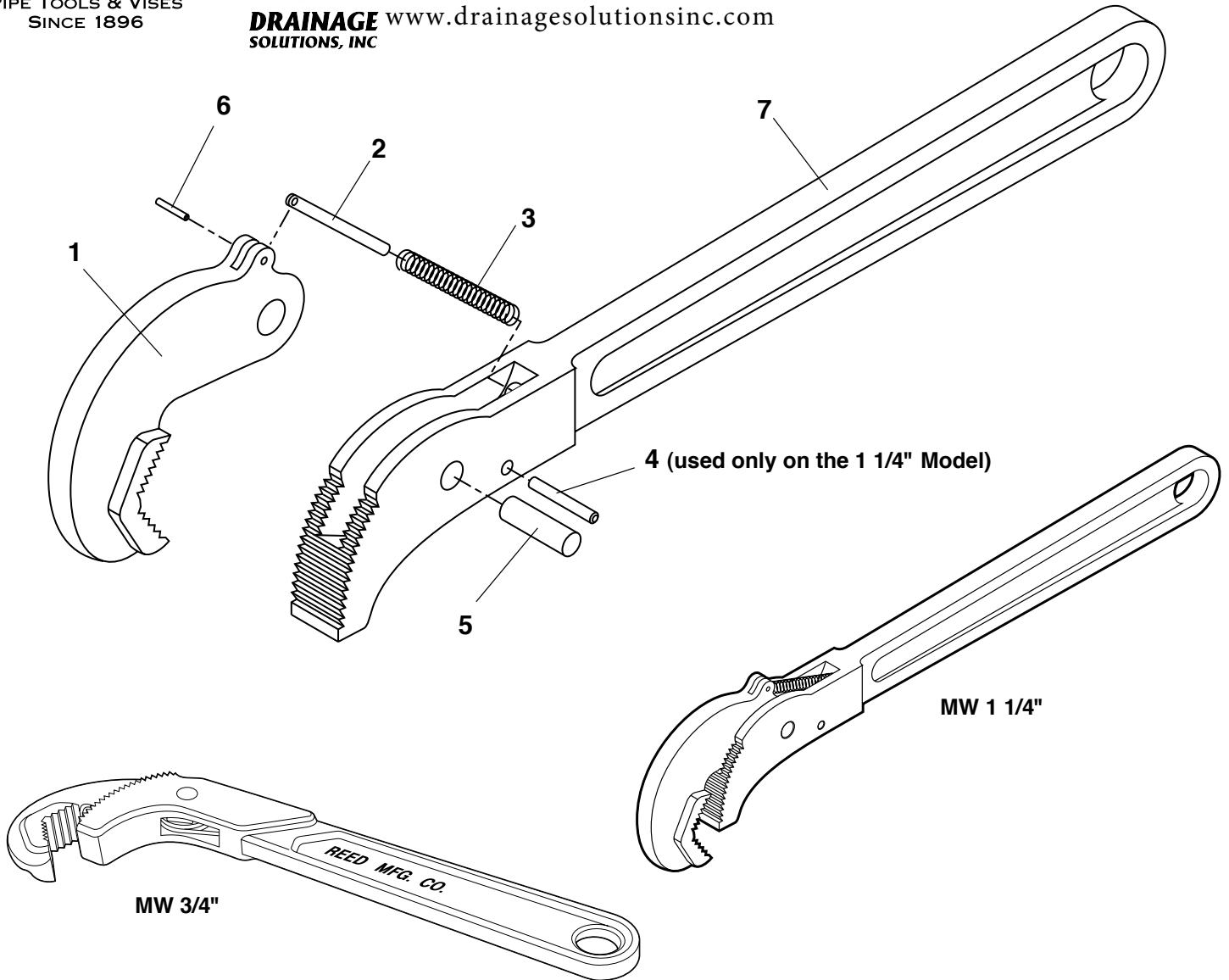


DRAINAGE SOLUTIONS, INC www.drainagesolutionsinc.com

One Hand Wrenches (Regular and Comfort Grip)

Replacement Parts

(317) 346-4110



Parts List

Ref. No.	Description	MW1 1/4 #02281		
		MW3/4 #02289 Item Code	MW 1 1/4GRIP #02386 Item Code	Old Style MW 1 1/4" Item Code
1	Jaw	92723	90902	—
2	Link	—	40510	—
3	Spring	40013	40511	—
4	Stop Pin	—	30008	30008
5	Pivot Pin	92724	92727	92727
6	Spring Pin	—	30210	—
7	Handle	92722	90901	—

Reed Manufacturing Company
1425 West 8th Street
Erie, PA 16502 USA



Phone: 800-666-3691 or 814-452-3691
Fax: 800-456-1697 or 814-455-1697
www.reedmfgco.com

RP-0417-20