



PIPE TOOLS & VISES
SINCE 1896

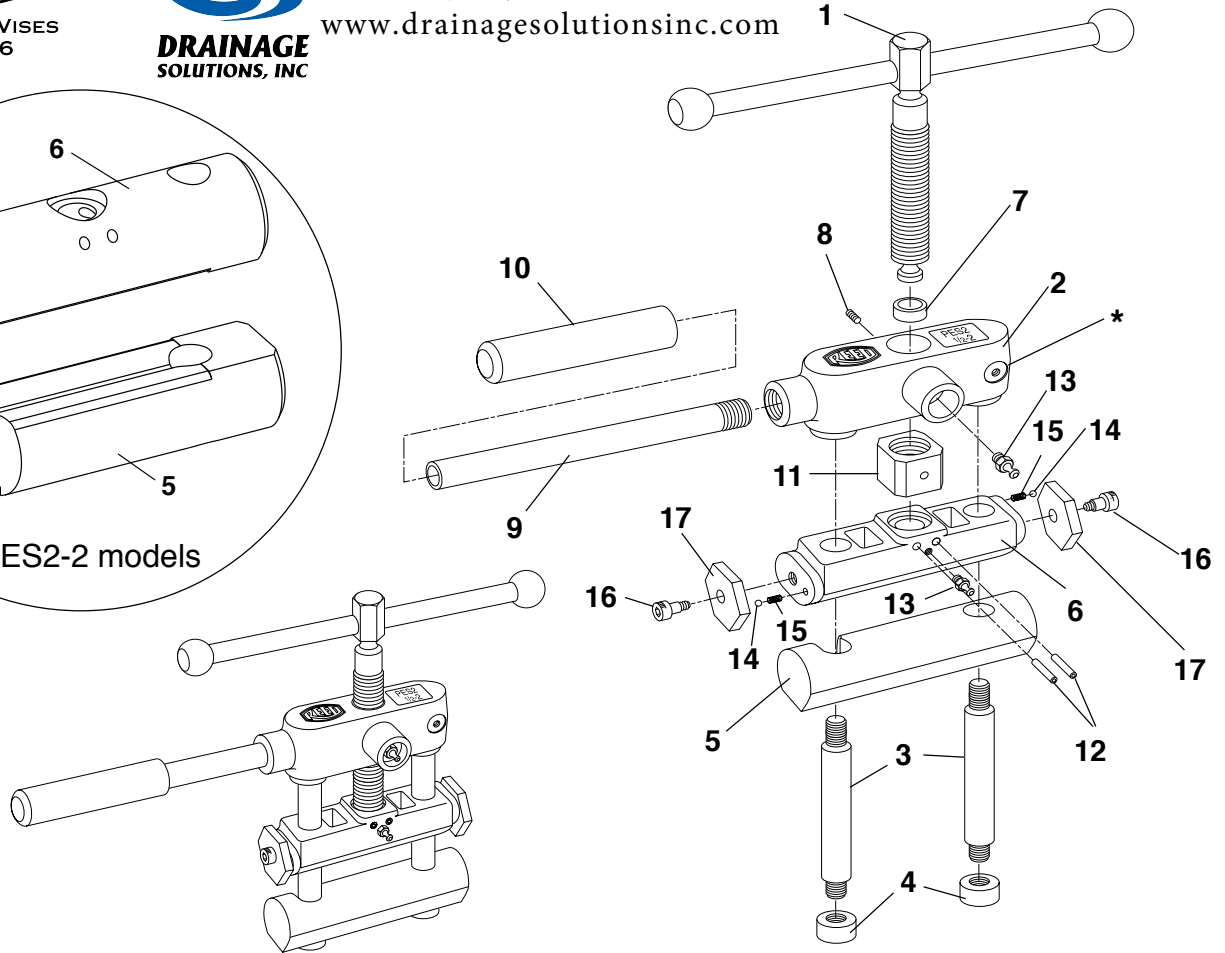
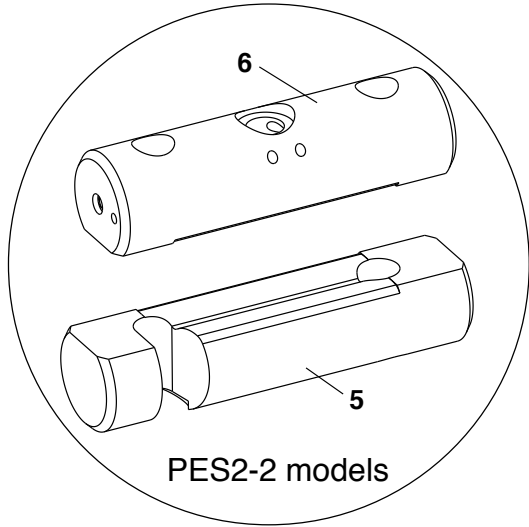


www.drainagesolutionsinc.com

PE Squeeze-Off Tools (PES2 all models)

Replacement Parts

(317) 346-4110



Parts List

Ref. No.	Description	#Used	PES2	PES2-2
			04302, 04304, 04703 Item Code	04322, 04324 Item Code
1	Feed Screw Assembly	1	98073	98073
2	Head	1	98075	98075
3	Tie Rod	2	98082	98082
4	Tie Rod Nut	2	98074	98074
5	Bottom Bar	1	98077	48077
6	Top Bar	1	98076	48076
7	Thrust Cap	1	98057	98057
8	Set Screw	1	30019	30019
9	Handle	1	98045	98045
10	Handle Grip	1	40070	40070
11	Threaded Insert	1	98072	98072
12	Retaining Pin	2	93437	93437
13	Grease Fitting	2	40338	40338
14	Ball Detent	2	93447	93447
15	Spring	2	93440	93440
16	Shoulder Screw	2	30194	30194
17	Stop (Choose best type)			
17a	IPS Stop	pair	98079	98079
17b	CTS Stop	pair	98078	98078
17c	Metric Stop	pair	98124	98124

*If desired, attach Static Grounding Device #04621 into this location.

Reed Manufacturing Company 1425
West 8th Street
Erie, PA 16502 USA



www.drainagesolutionsinc.com

(317) 346-4110

Phone: 800-666-3691 or 814-452-3691
Fax: 800-456-1697 or 814-455-1697

www.reedmfgco.com

RP-0419-03