



PIPE TOOLS & VISES  
SINCE 1896



**DRAINAGE**  
SOLUTIONS, INC

(317) 346-4110

www.drainagesolutionsinc.com

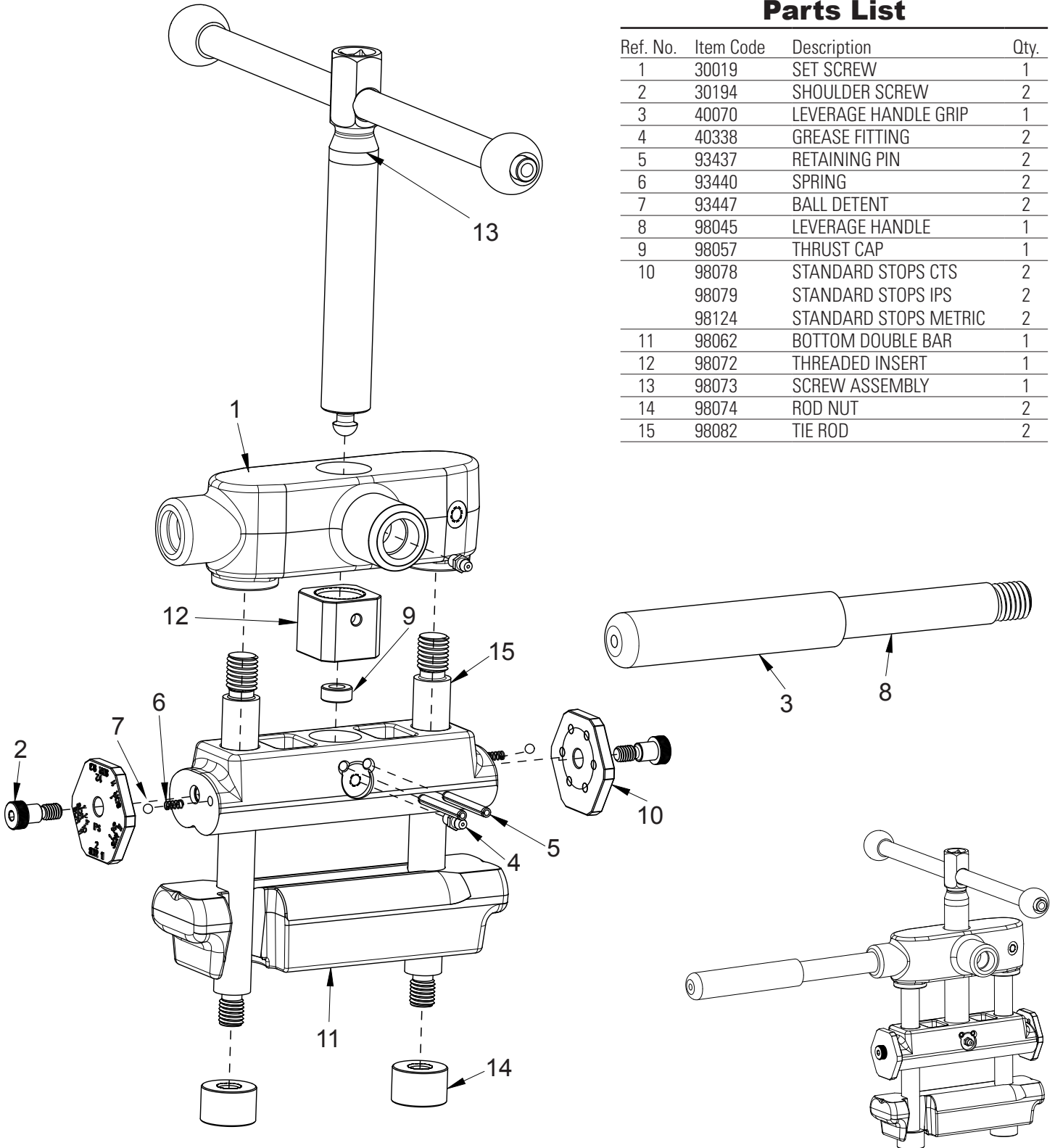
# Double Squeeze™ PE Squeeze Tools

PES2IPSD, PES2CTSDB, PES2DBM Replacement Parts

Applies to: 04332,  
04333, 04334

## Parts List

Ref. No.	Item Code	Description	Qty.
1	30019	SET SCREW	1
2	30194	SHOULDER SCREW	2
3	40070	LEVERAGE HANDLE GRIP	1
4	40338	GREASE FITTING	2
5	93437	RETAINING PIN	2
6	93440	SPRING	2
7	93447	BALL DETENT	2
8	98045	LEVERAGE HANDLE	1
9	98057	THRUST CAP	1
10	98078	STANDARD STOPS CTS	2
	98079	STANDARD STOPS IPS	2
	98124	STANDARD STOPS METRIC	2
11	98062	BOTTOM DOUBLE BAR	1
12	98072	THREADED INSERT	1
13	98073	SCREW ASSEMBLY	1
14	98074	ROD NUT	2
15	98082	TIE ROD	2



Reed Manufacturing  
1425 West 8th Street  
Erie, PA 16502 USA

**QUALITY**  
& Service  
that Last a Lifetime

Phone: 800-666-3691 or 814-452-3691  
reedsales@reedmfgco.com  
www.reedmfgco.com

RP-0623-146